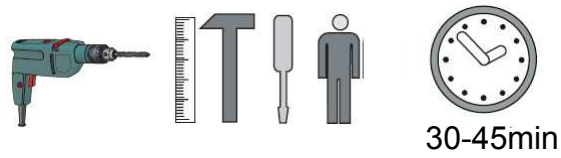
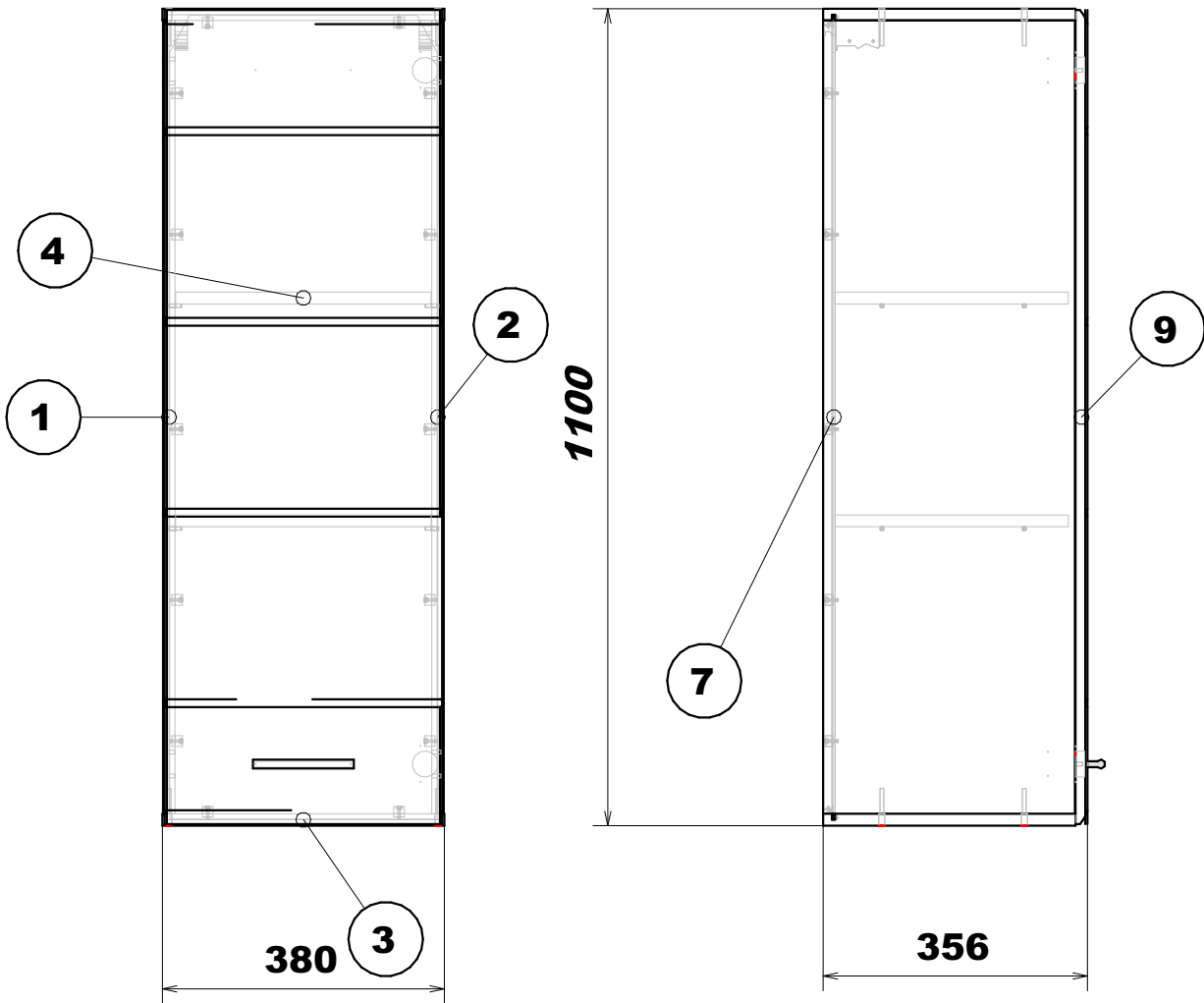
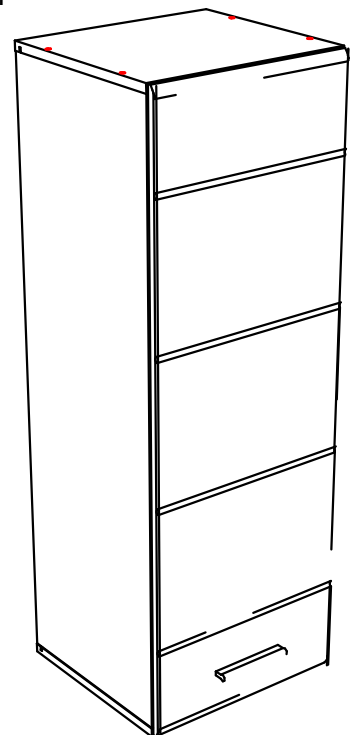
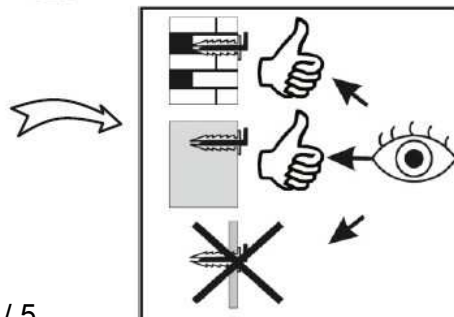
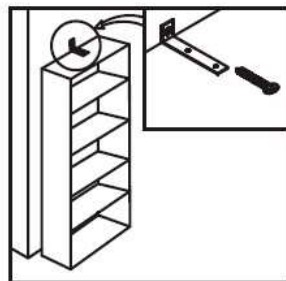
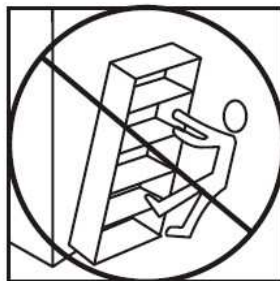
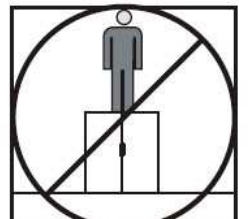
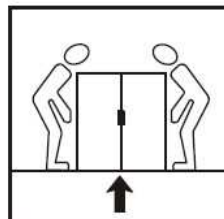
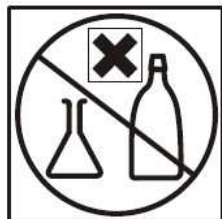
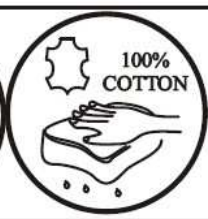
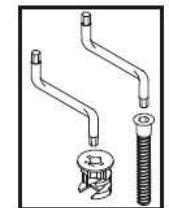
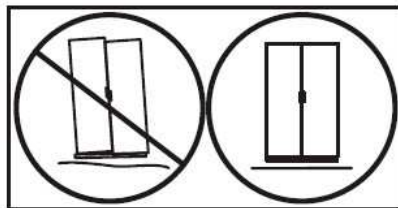
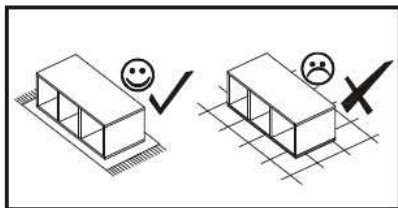
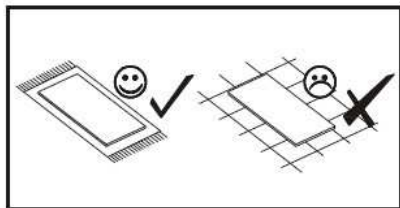
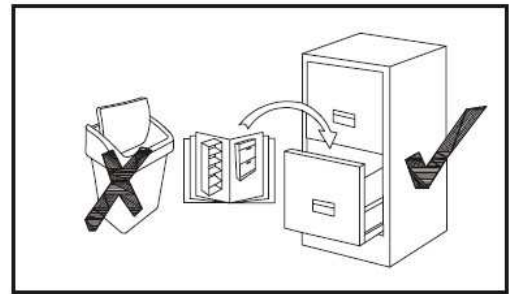
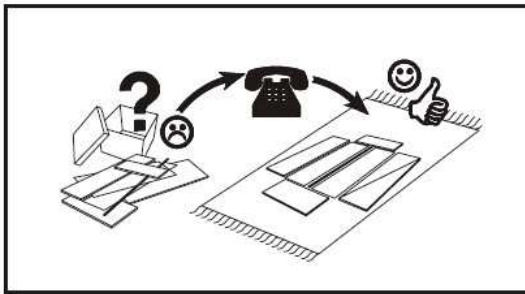
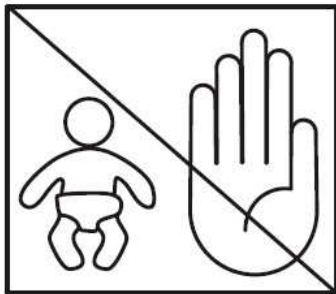
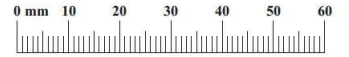
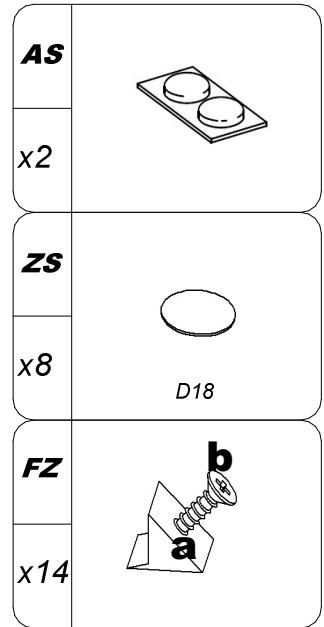
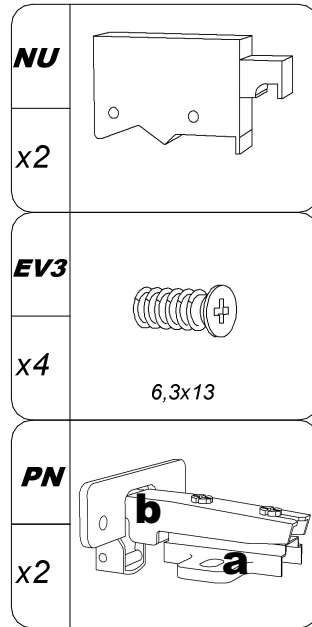
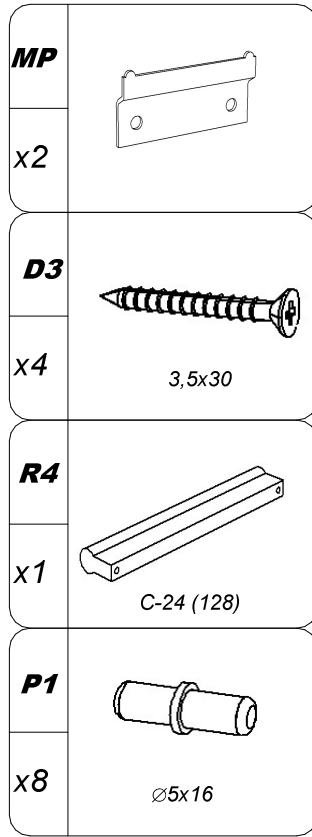
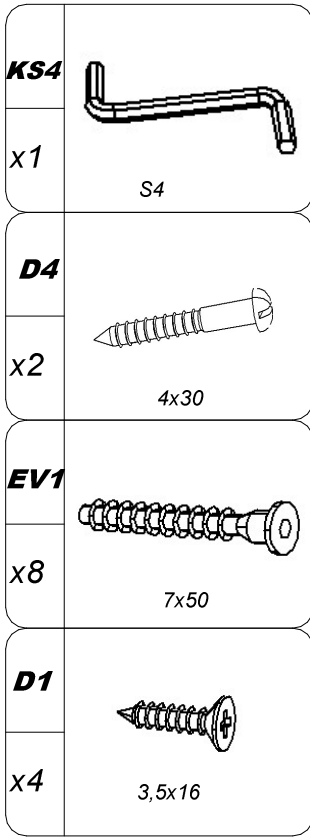


SN1 " GLOSS "

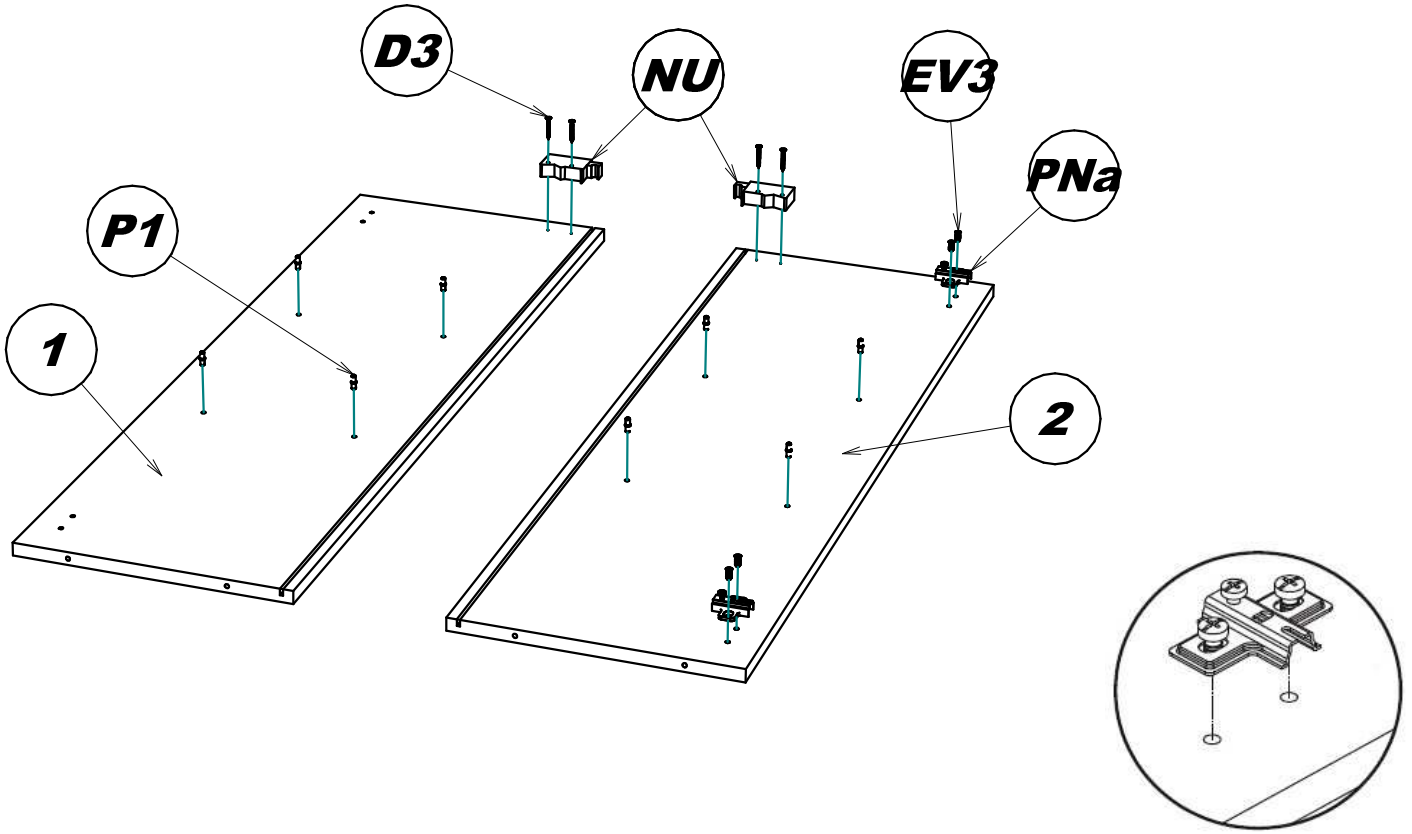


No	Dim			Qty
1	1068	339	16	1
2	1068	339	16	1
3	380	340	16	2
4	344	314	16	2
7	1082	360	3	1
9	1096	374	16	1

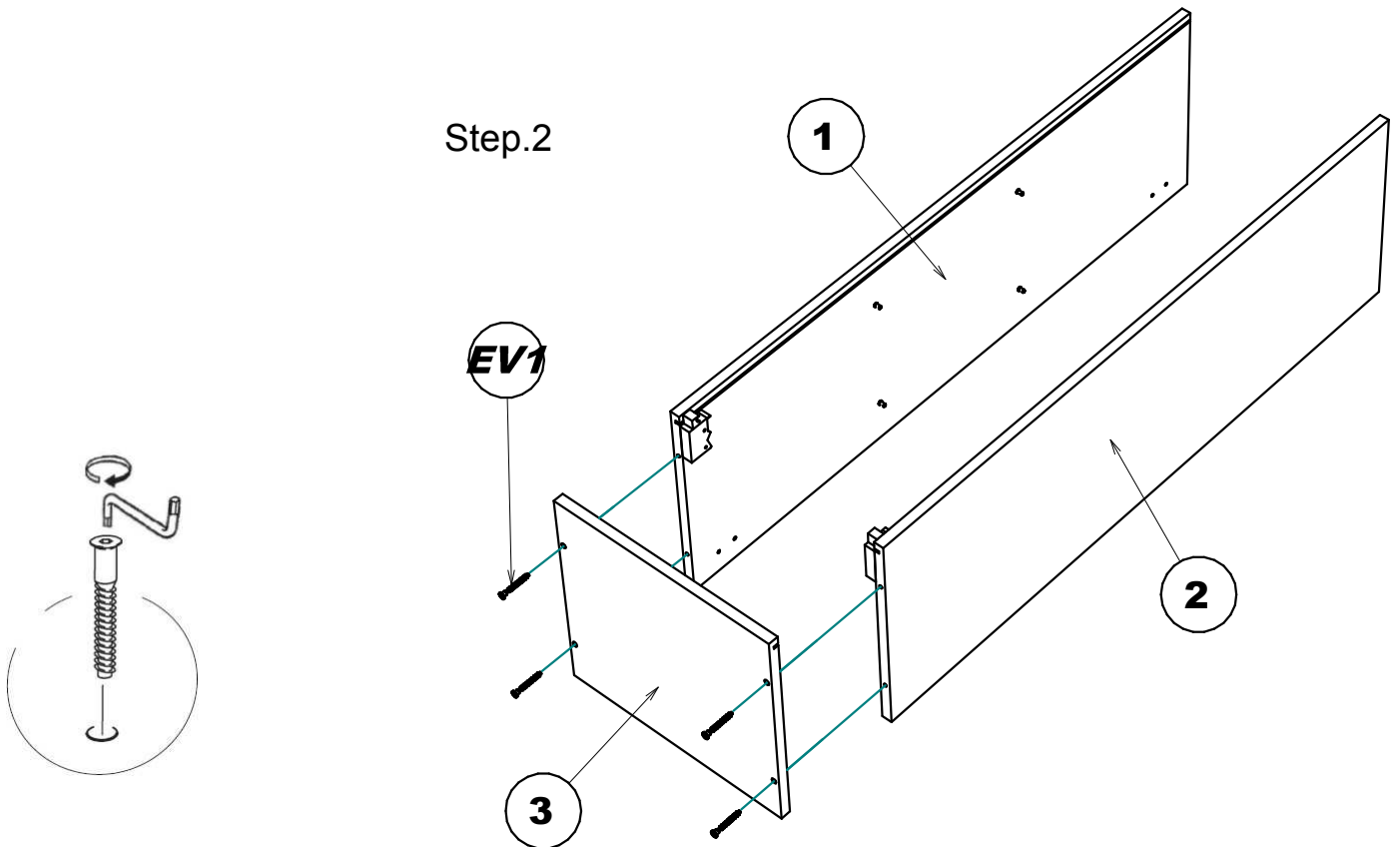


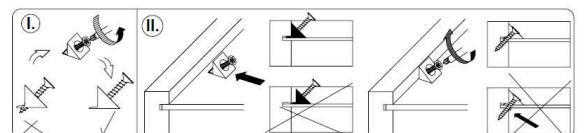
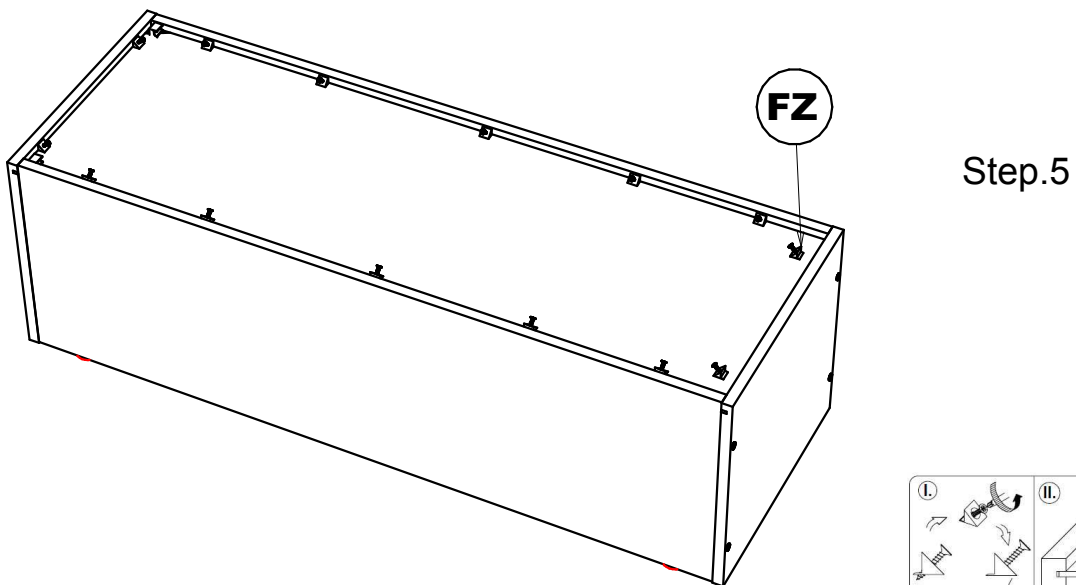
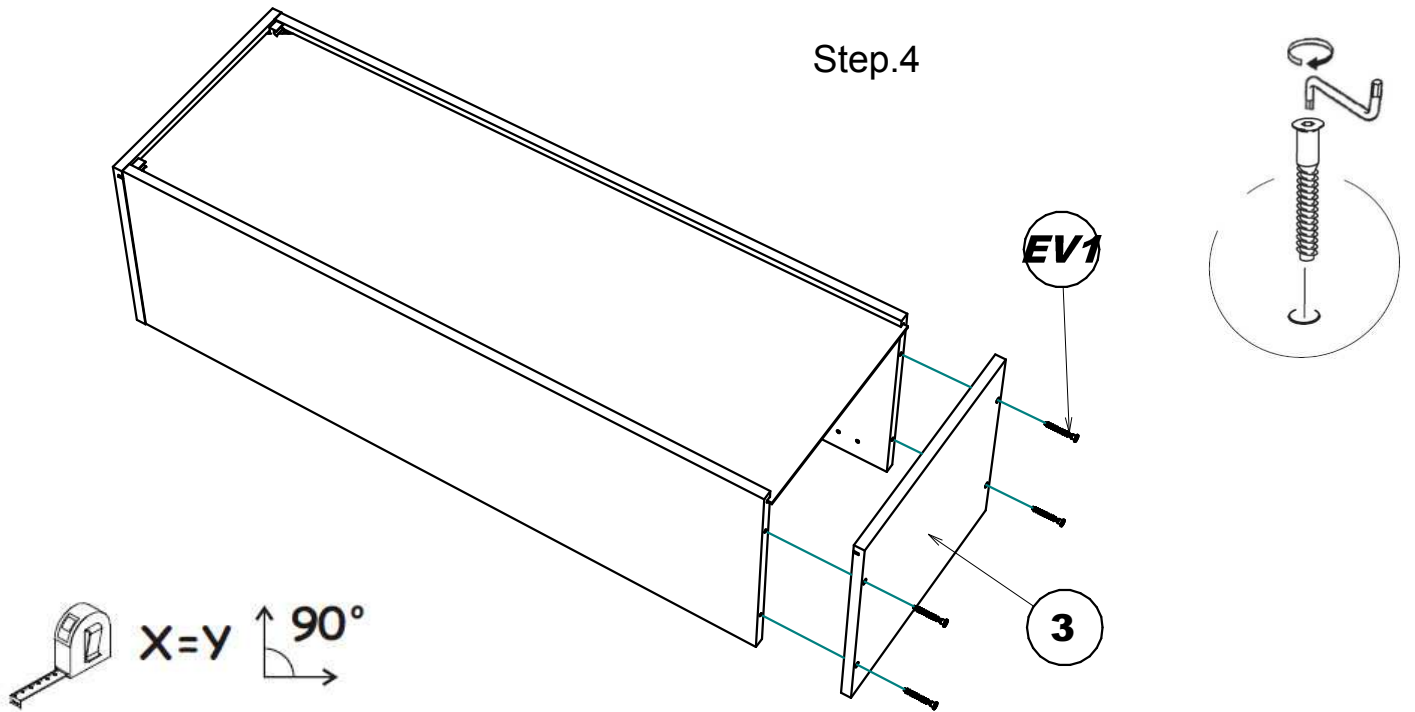
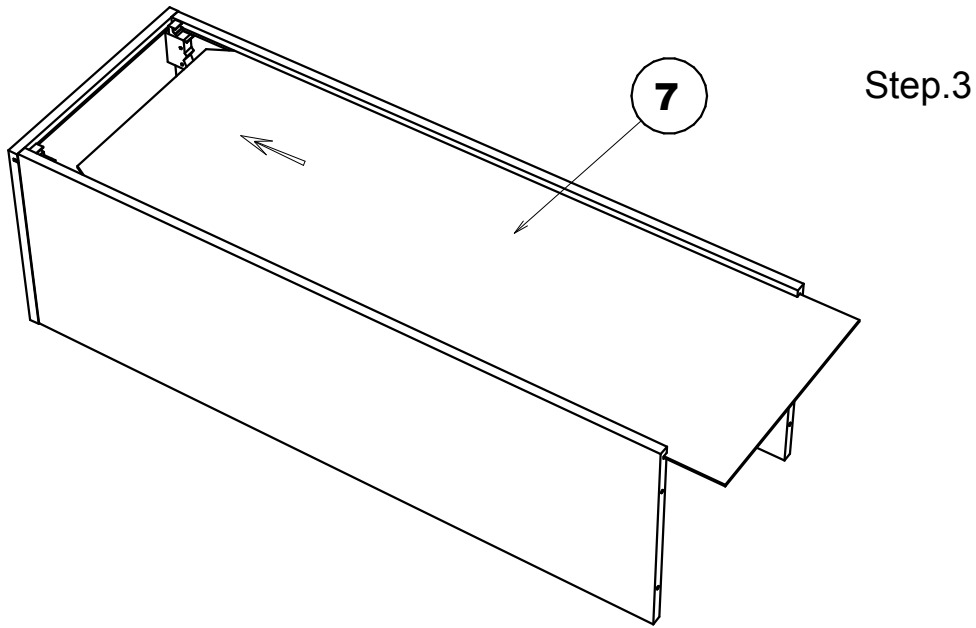


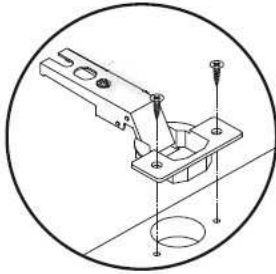
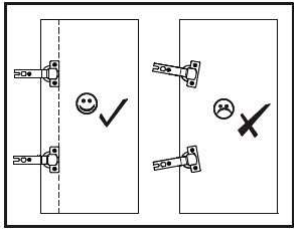
Step.1



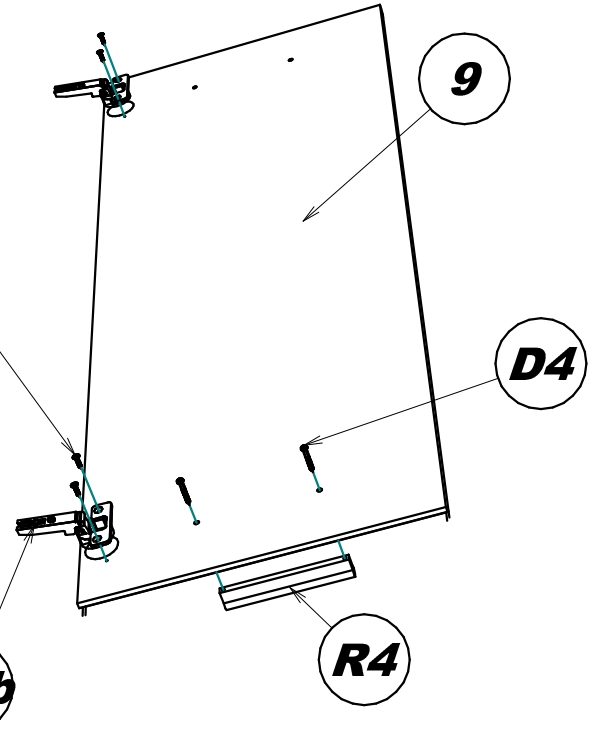
Step.2



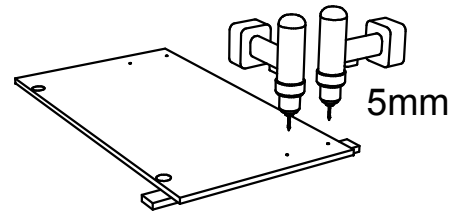
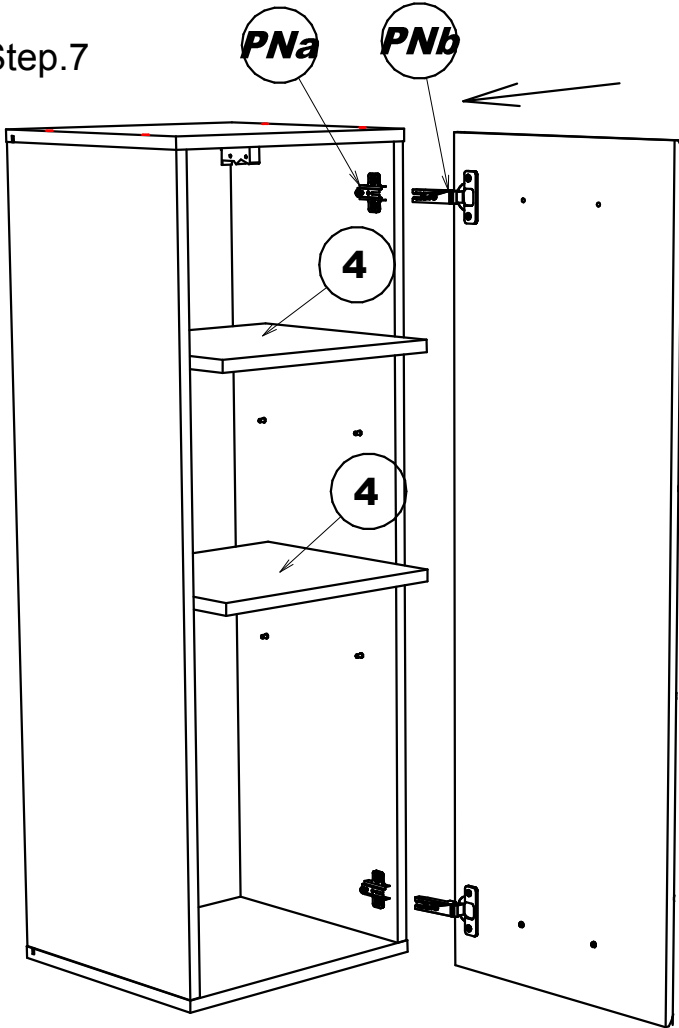




Step.6

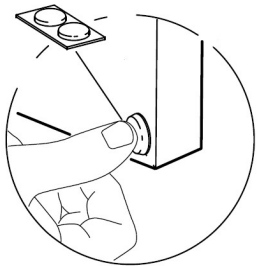


Step.7



Step.8

AS



MP

