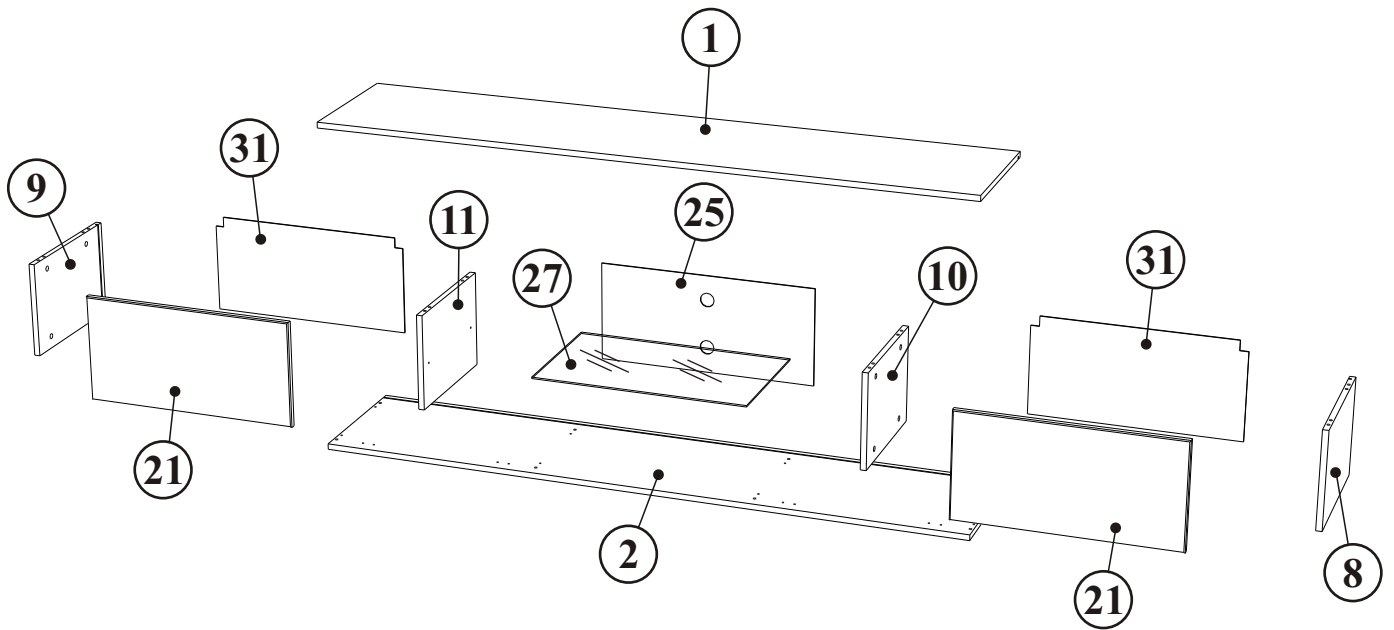
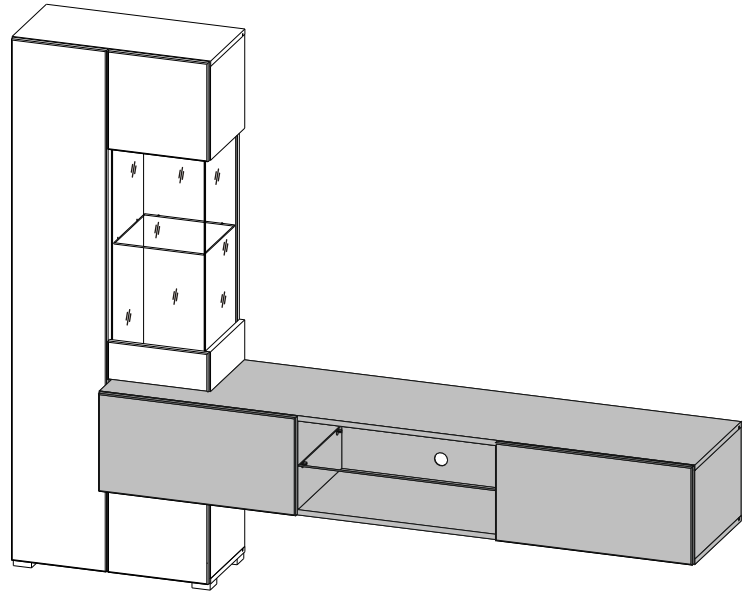
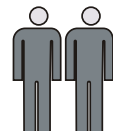
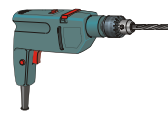


# POINT TYP-70

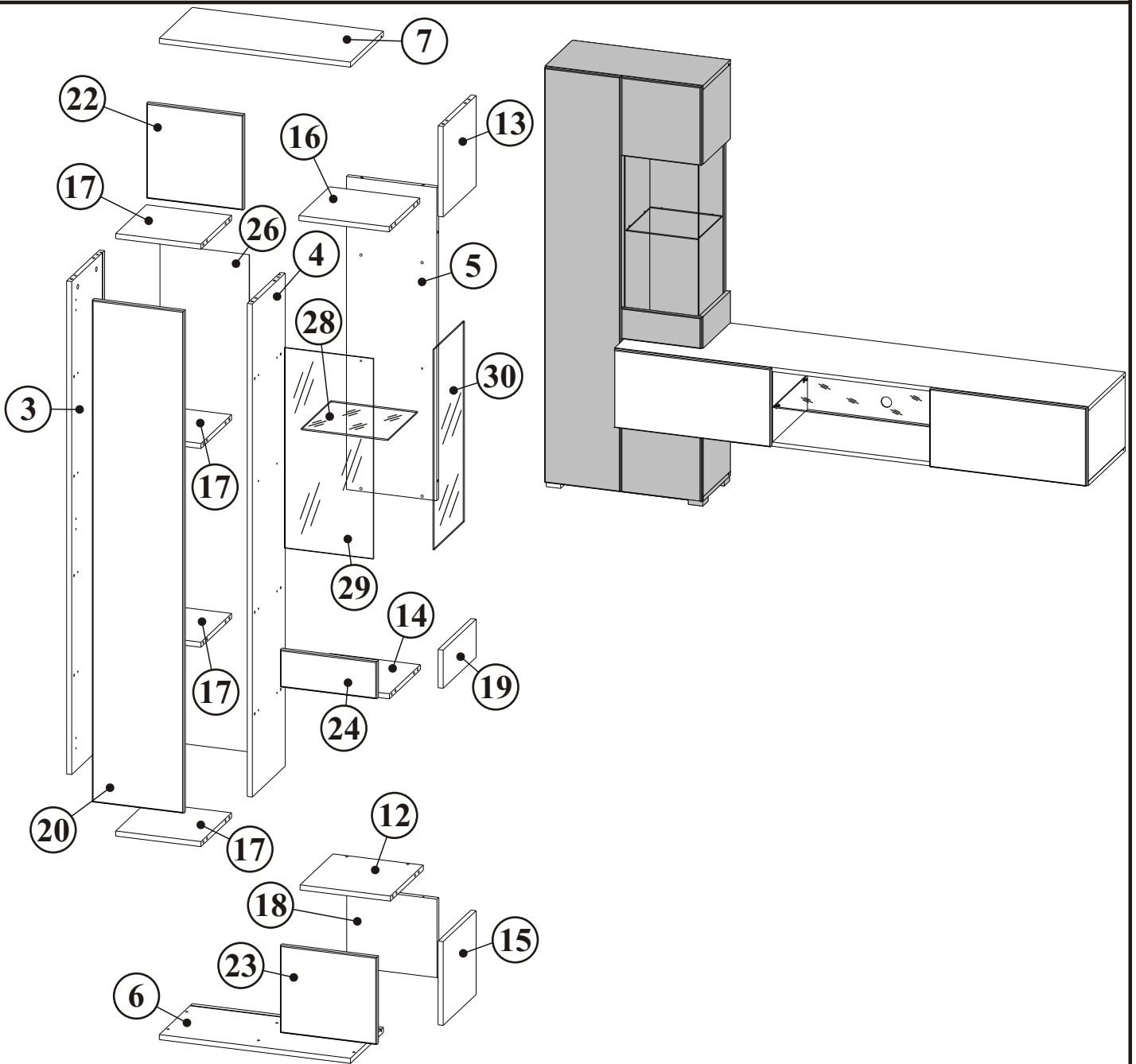


NO	Dim.		Col.-No	Qty
1	1800	384	1	1
2	1800	384	1	1
8	268	384	1	1
9	268	384	1	1
10	268	364	1	1
11	268	364	1	1
25	616	281	1	1
27	597	362	1	1
31	582	281	1	2
21	595	296	1	2

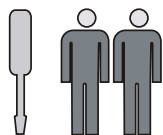
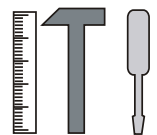
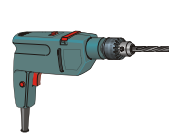


60 min

# POINT TYP-70



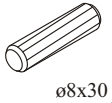
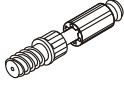
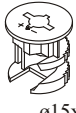

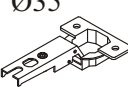
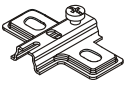
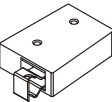

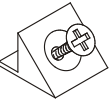


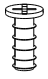


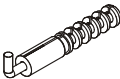
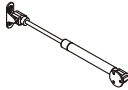

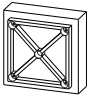
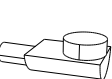

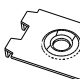

NO	Dim.		Col.-No	Qty
3	1548	284	2	1
4	1548	284	2	1
5	983	283,5	2	1
6	600	284	2	1
7	600	284	2	1
12	283,5	284	2	1
13	284	284	2	1
14	283,5	267	2	1
15	263	284	2	1
16	283,5	267	2	1
17	267,5	264	2	4
18	246,5	283,5	1	1
20	1576	287	2	1
22	298	303	2	1
23	274	303	2	1
24	117	303	2	1
26	1561	280	2	1

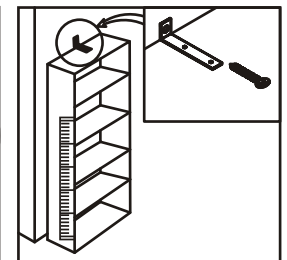
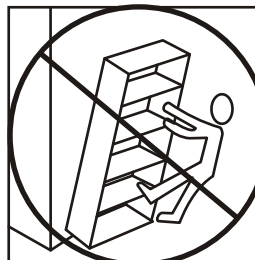
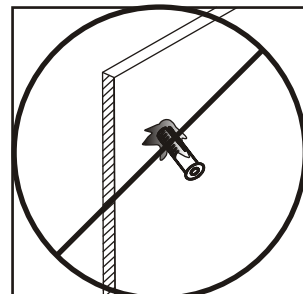
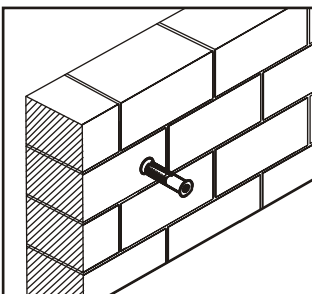
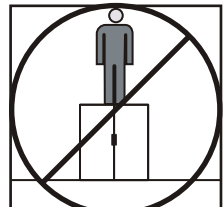
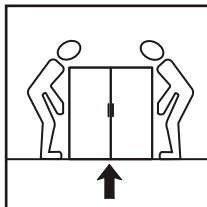
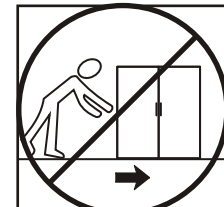
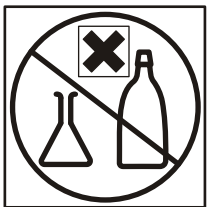
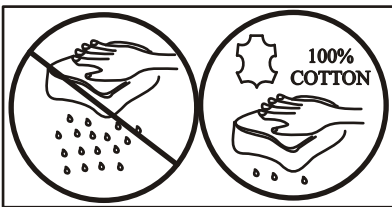
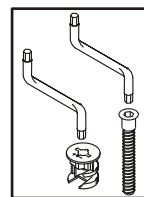
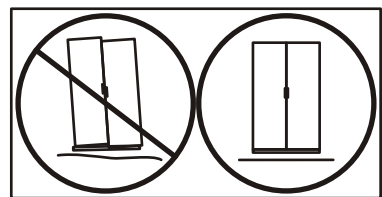
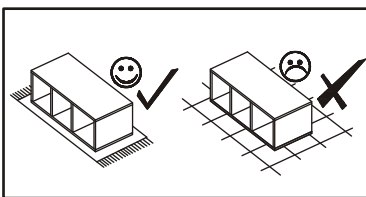
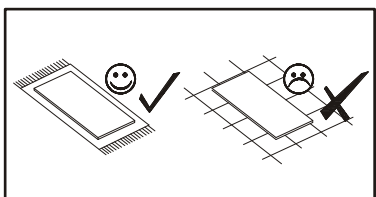
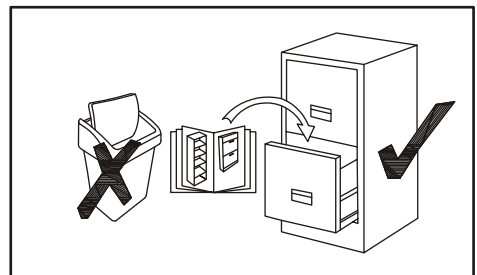
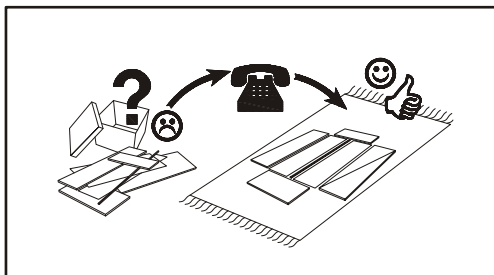
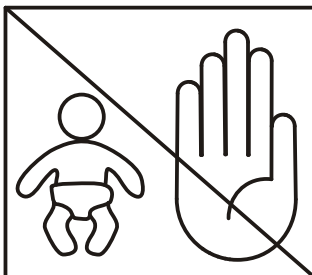


60 min

NO	Dim.		Col.-No	Qty
28	272	256	2	1
29	629	279	1	1
30	629	261	1	1
19	120	284	2	1



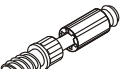
# POINT TYP-70

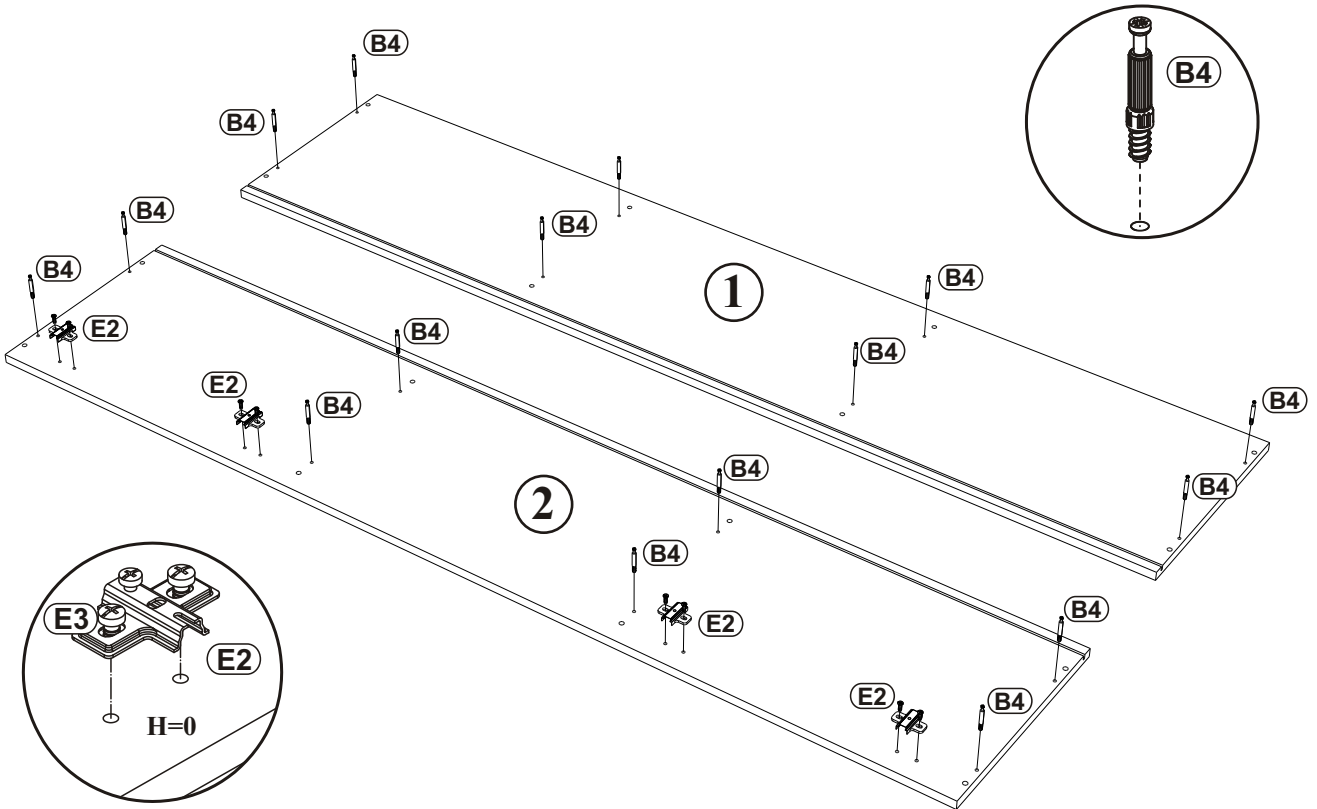
A1 x50  ø8x30	B4 x54 	B5 x54  ø15x12	G5 x46 	E1 x12  Ø35 H=0	E2 x12  H=0
ZR1 x4 	D6 x24  USØ3,5x30	S1 x24 	D10 x38  USØ3,5x16	UP13 x8  UPØ3,5x16	E3 x24  ø6,3x13
G2 x1 	T1 x5 	KR2 x4 	BO1 x4 	ZX x14  ø7x50	Z2 x4  50x50x20mm
G20 x4 	G21 x4 	S2 x4 	P2 x8 		




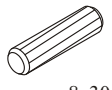
# POINT TYP-70

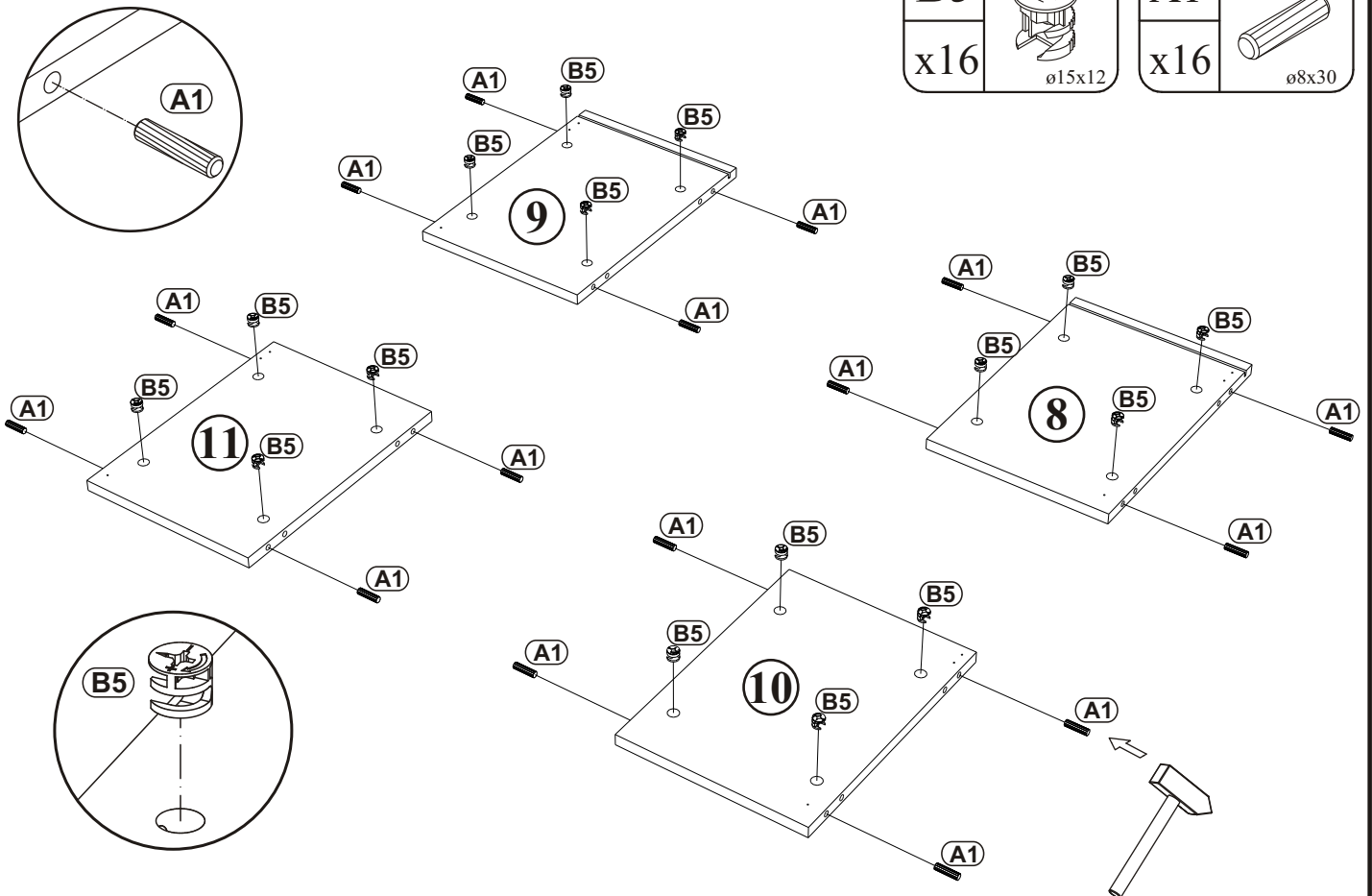
## 1

E3		E2		B4	
x8	ø6,3x13	x4	H=0	x16	



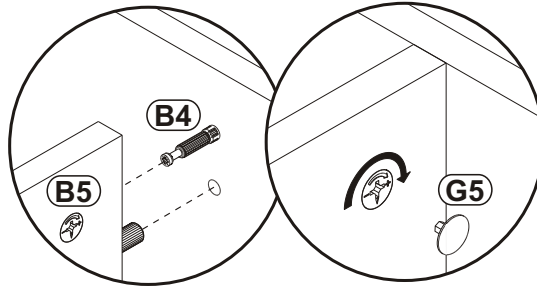
## 2


B5		A1	
x16	ø15x12	x16	ø8x30

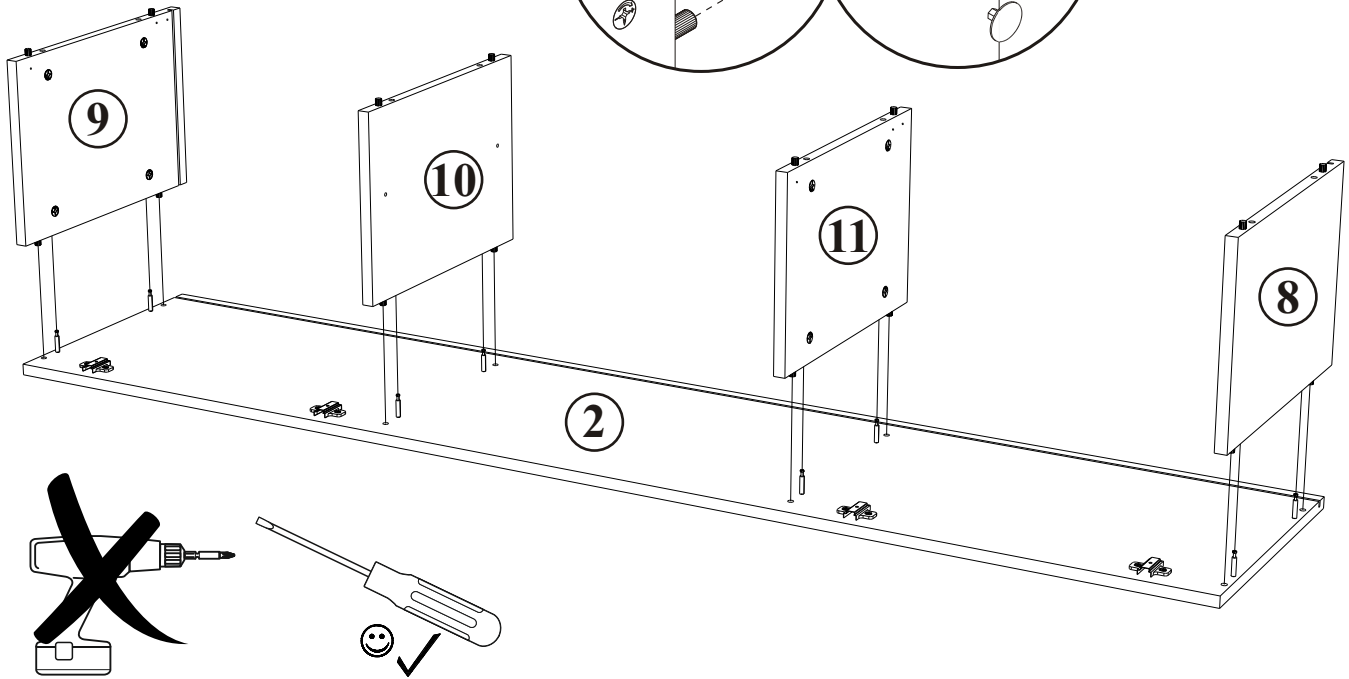


POINT TYP-70

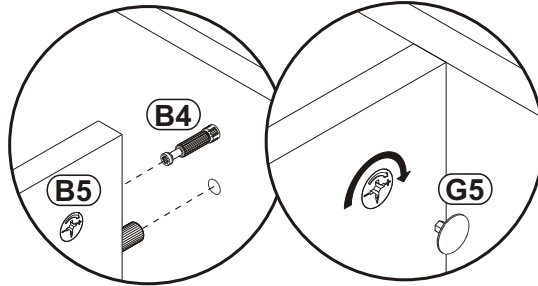
3




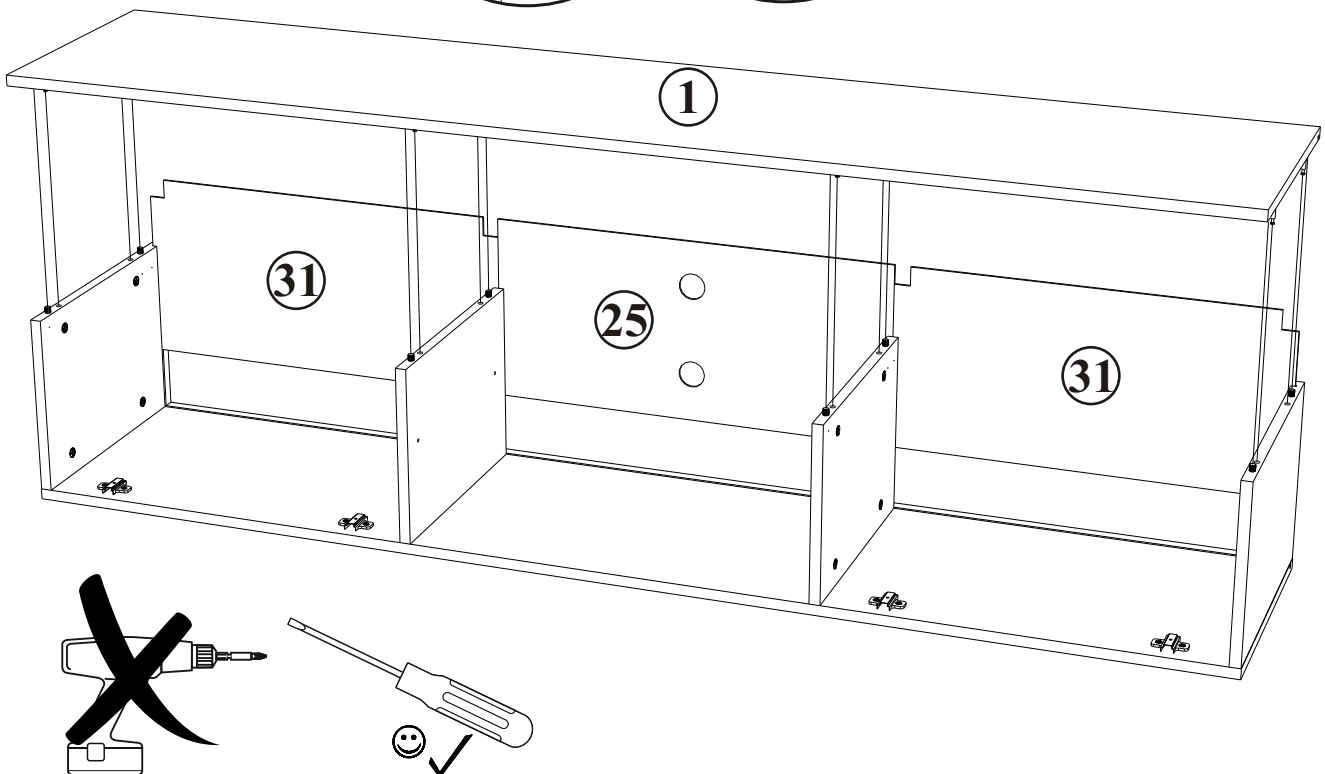
G5	
x8	



4



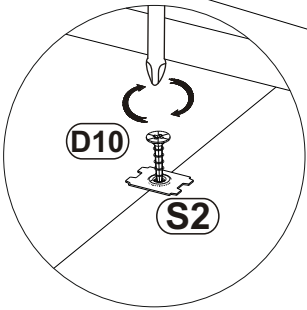
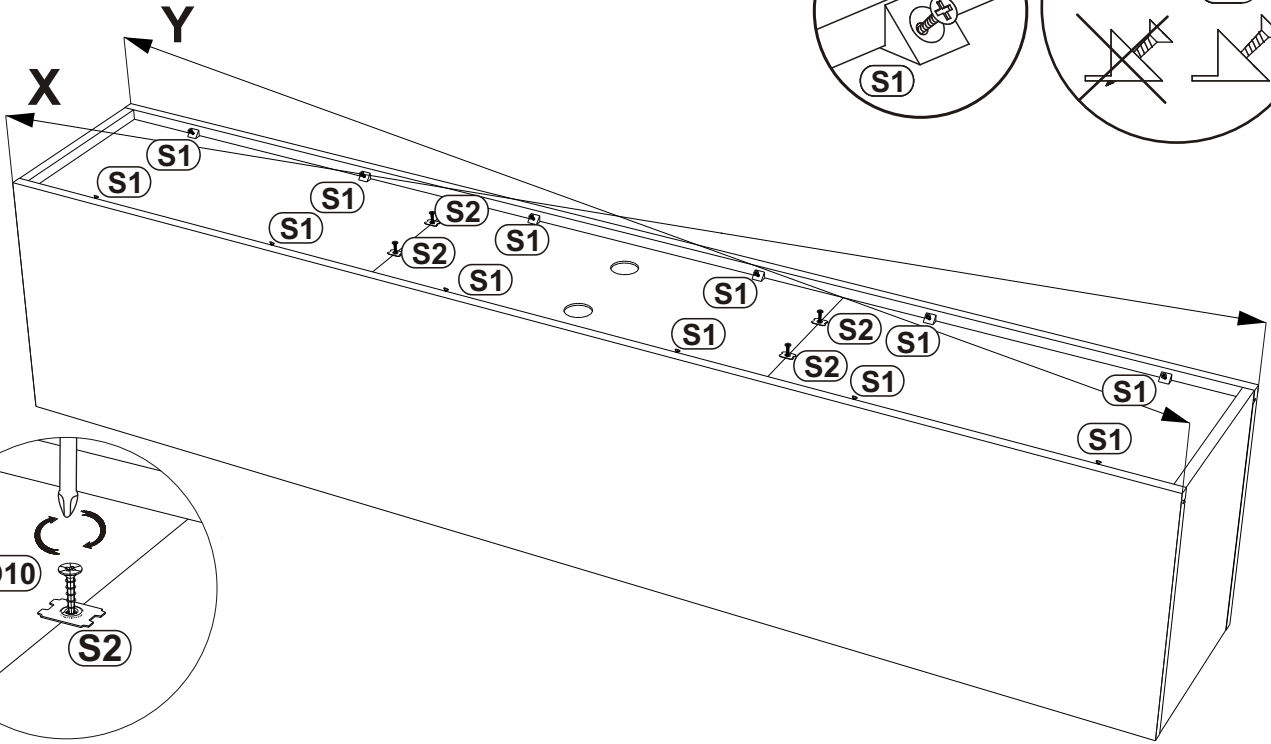
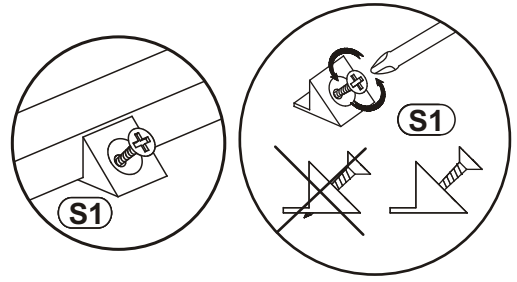
G5	
x8	



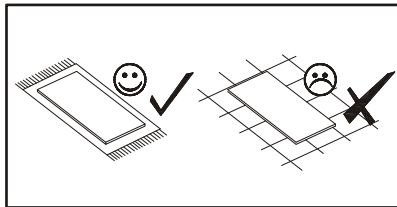
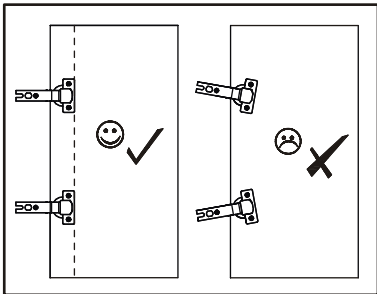
POINT TYP-70

S2		D10		S1	
x4		x4	USØ3,5x16	x12	

5

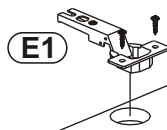


6

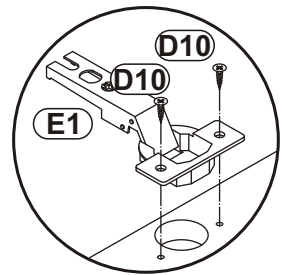
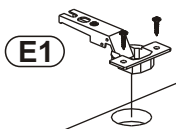


E1	Ø35	
x4	H=0	

D10	
x8	USØ3,5x16

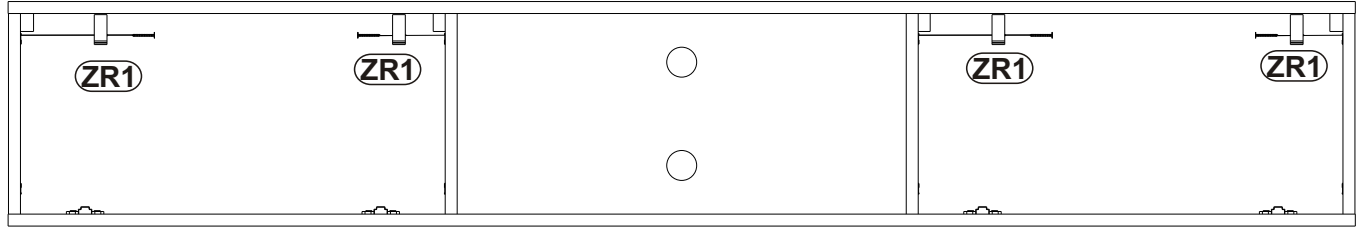
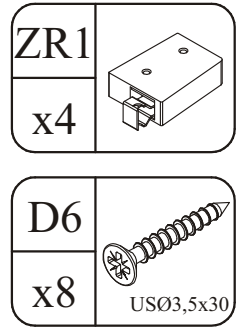
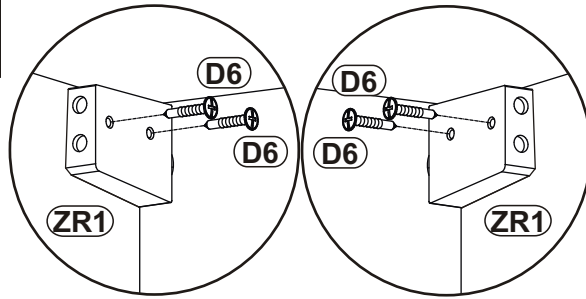


21 x2

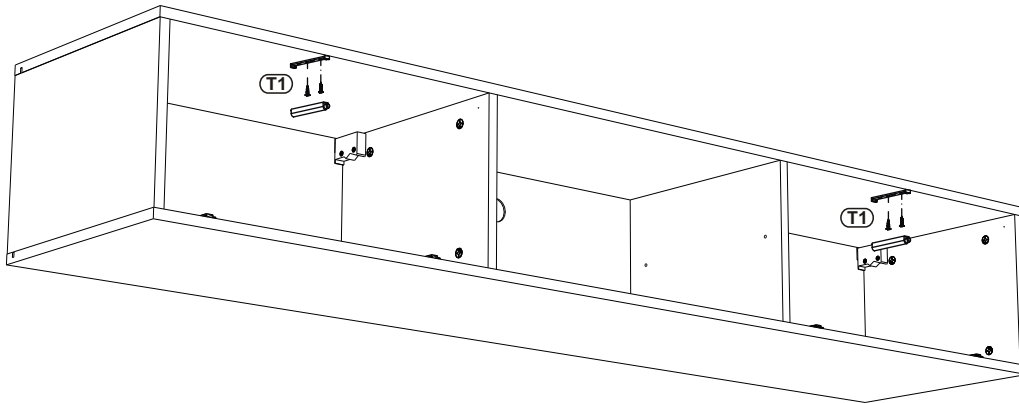
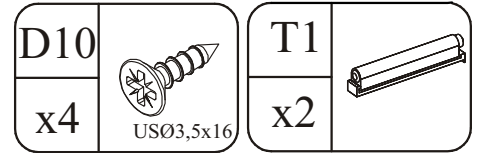
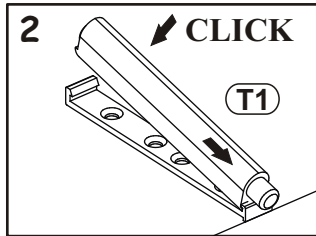
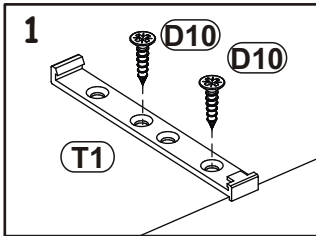


POINT TYP-70

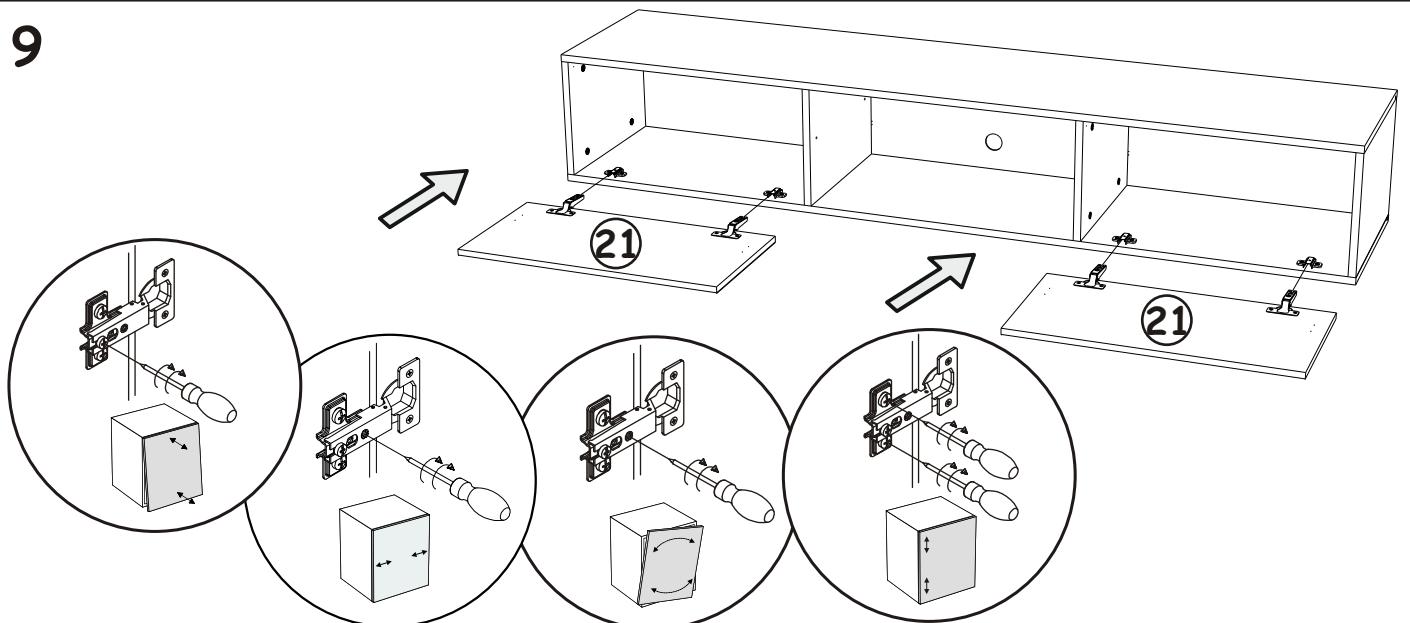
7



8

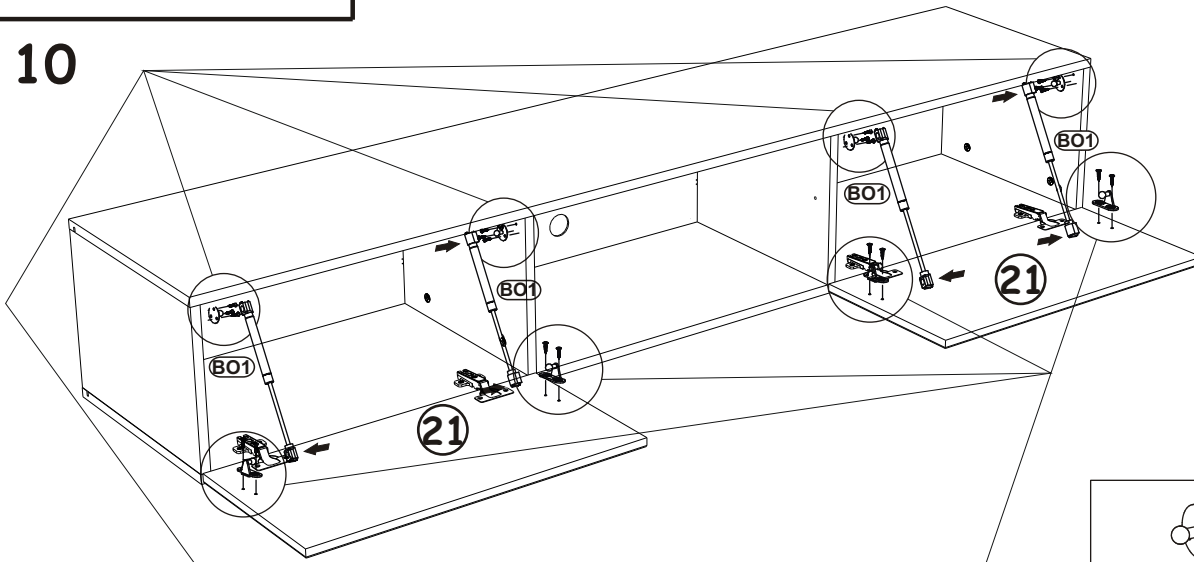


9

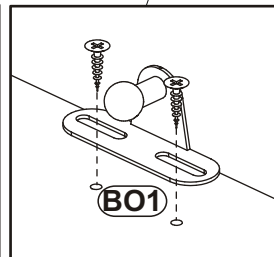
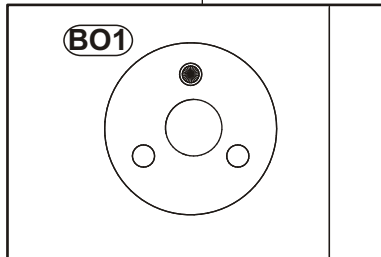
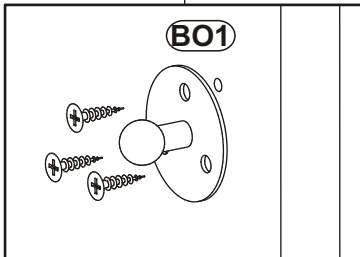
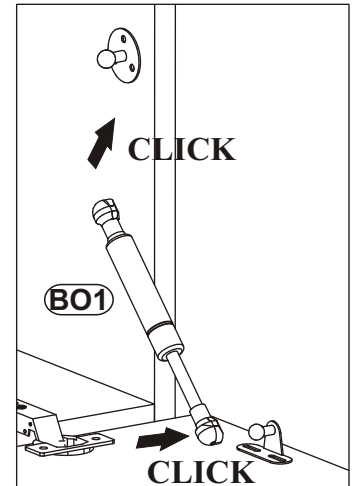


POINT TYP-70

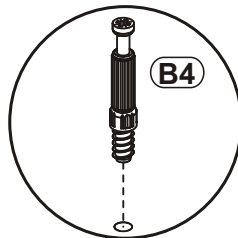
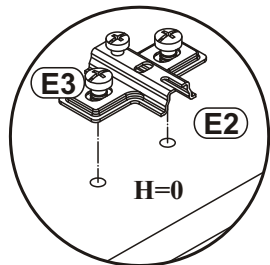
10



BO1	
x4	



11



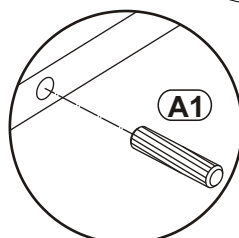
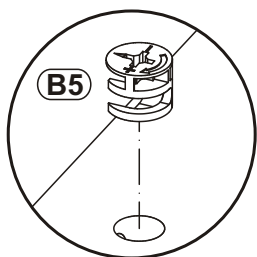
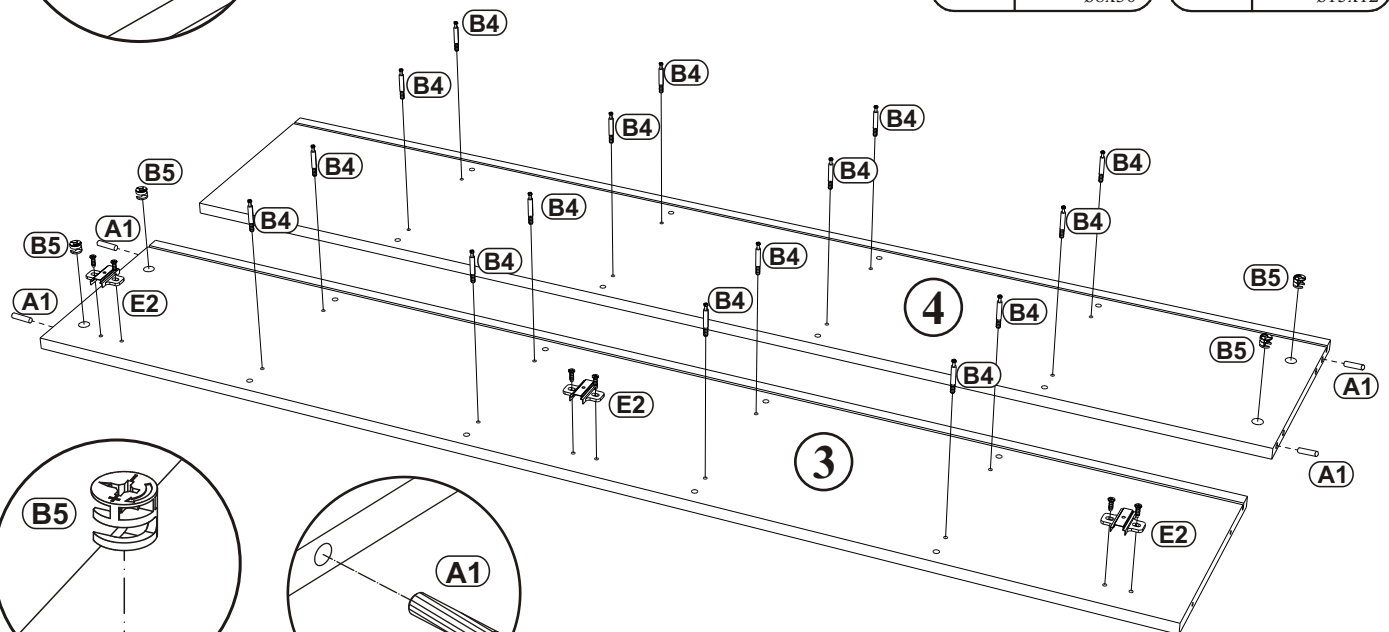
E3	
x6	ø6,3x13

E2	
x3	H=0

B4	
x16	

A1	
x4	ø8x30

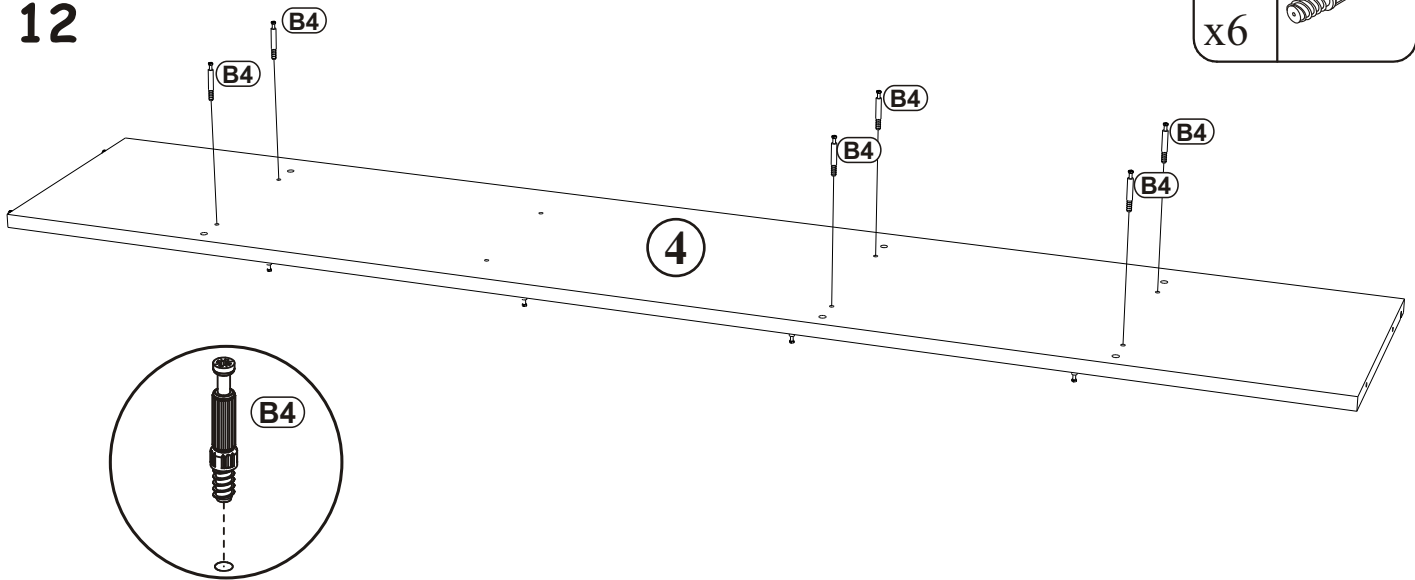
B5	
x4	ø15x12

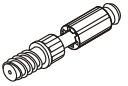




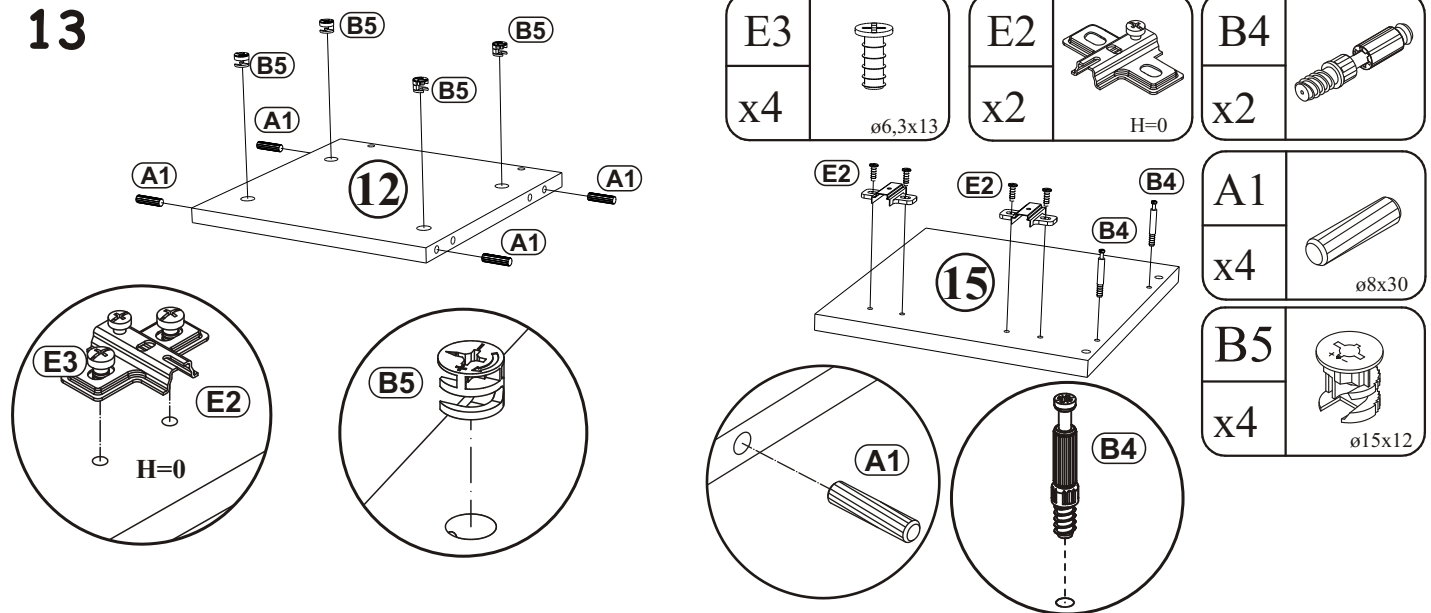
POINT TYP-70


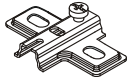
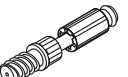
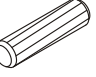

12



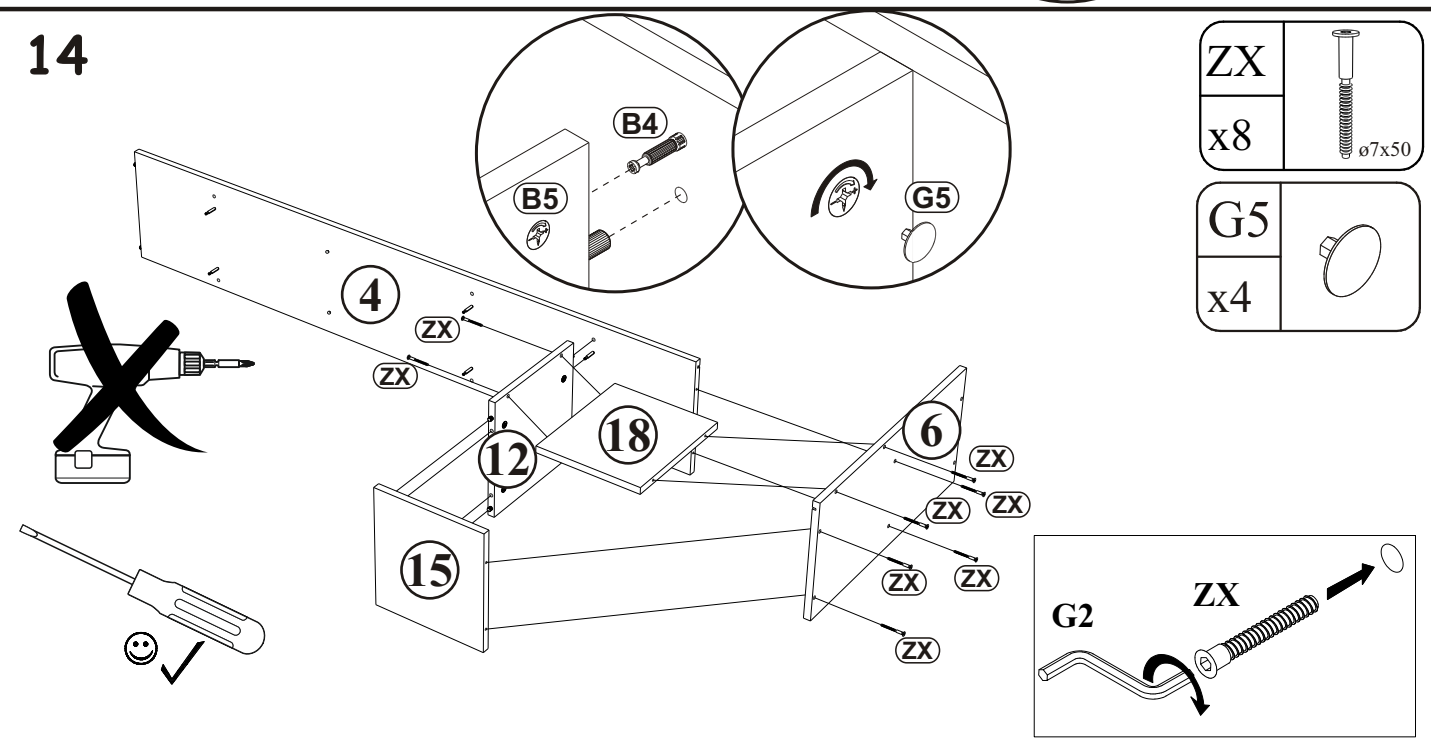
B4	
x6	



13



E3		E2		B4	
x4	$\phi 6,3 \times 13$	x2	H=0	x2	
A1		B5			
x4	$\phi 8 \times 30$	x4	$\phi 15 \times 12$		

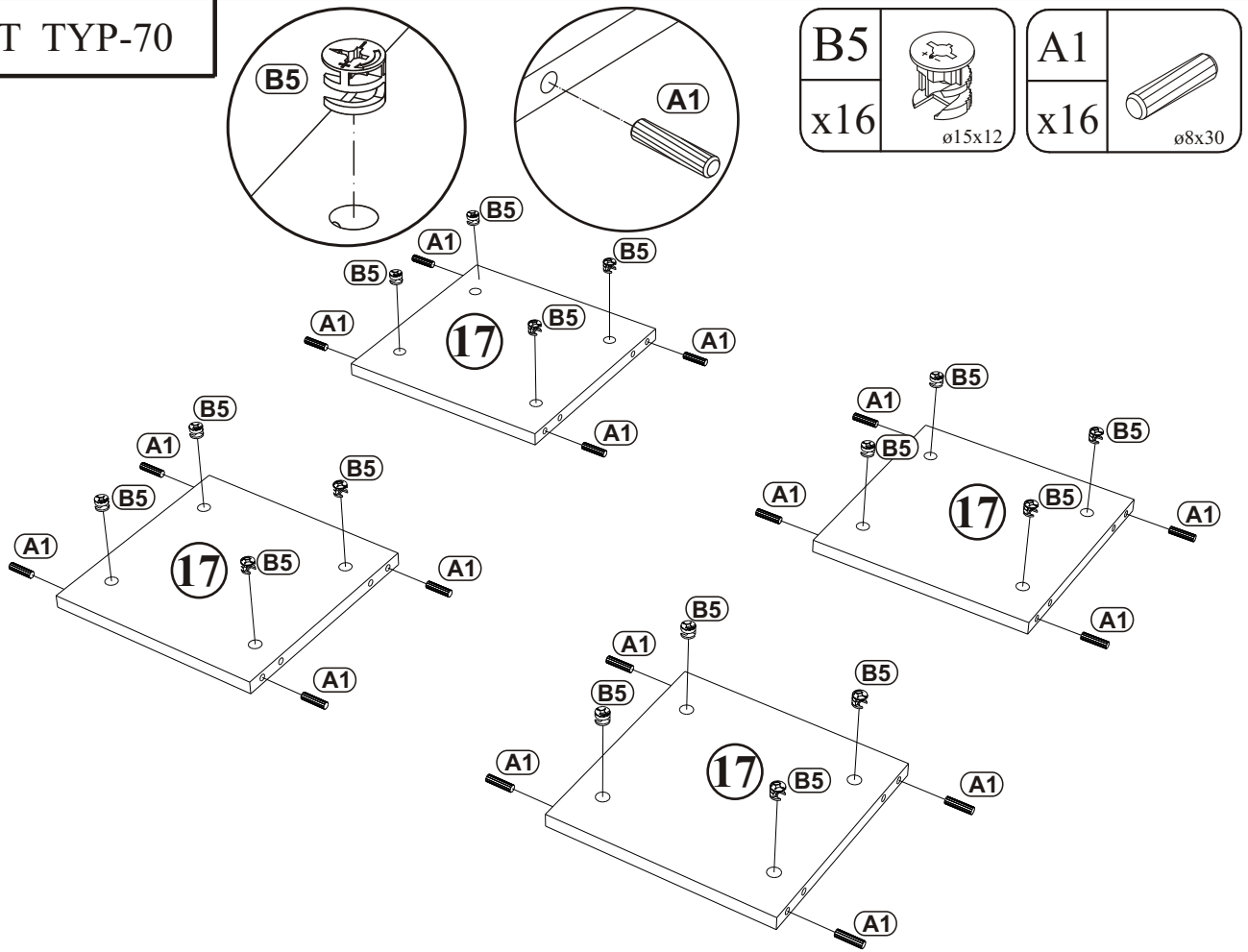
14



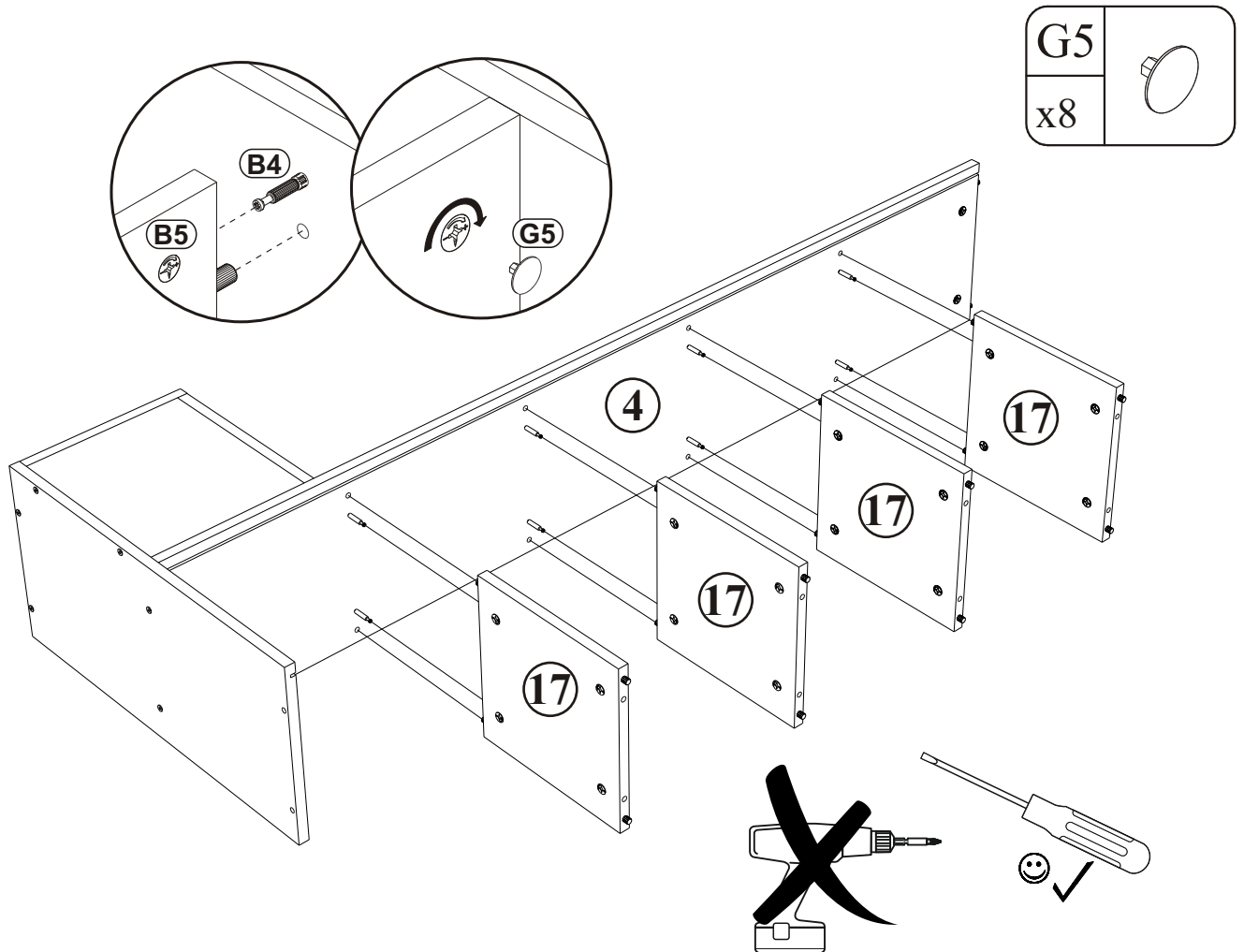
ZX	
x8	$\phi 7 \times 50$
G5	
x4	

POINT TYP-70

15

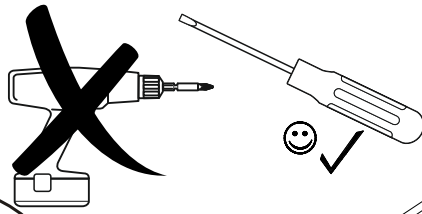




16

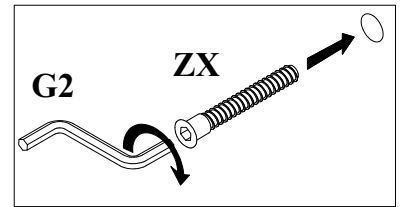
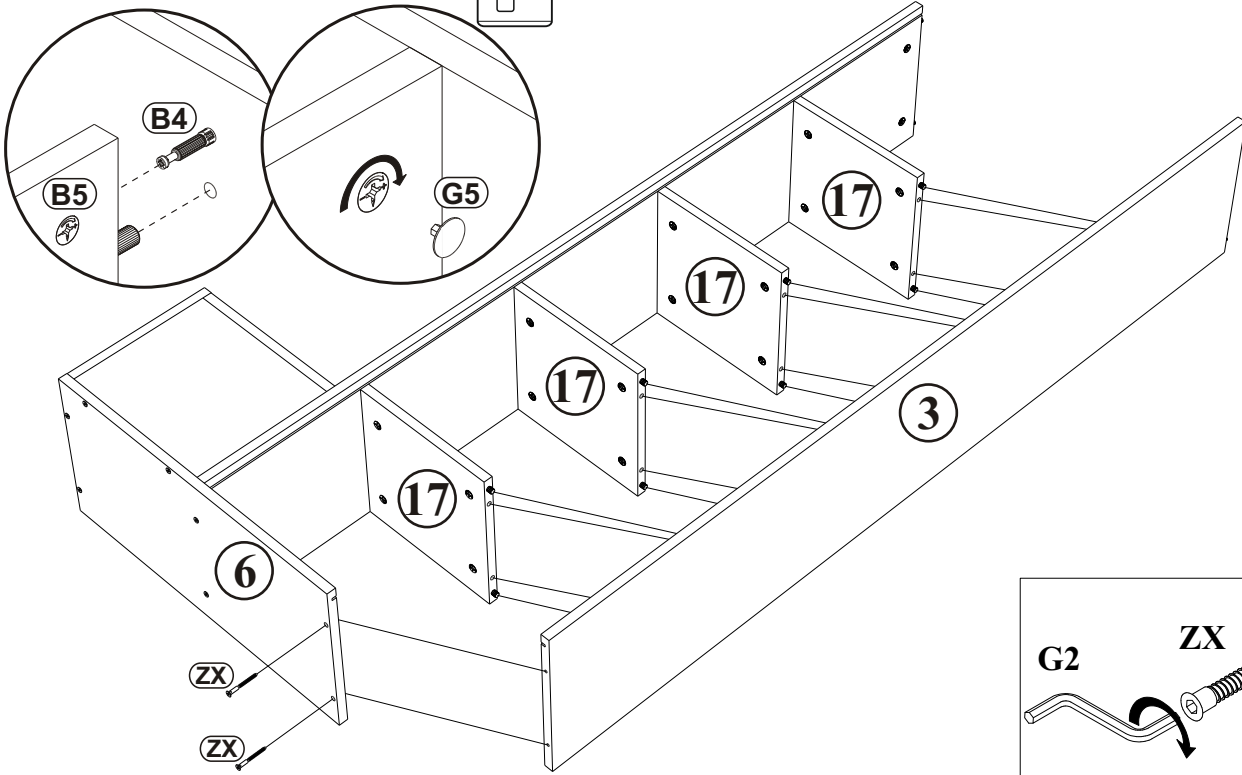


POINT TYP-70


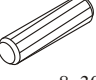
17

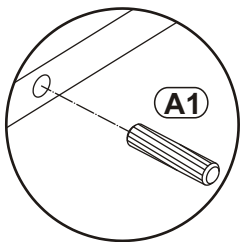
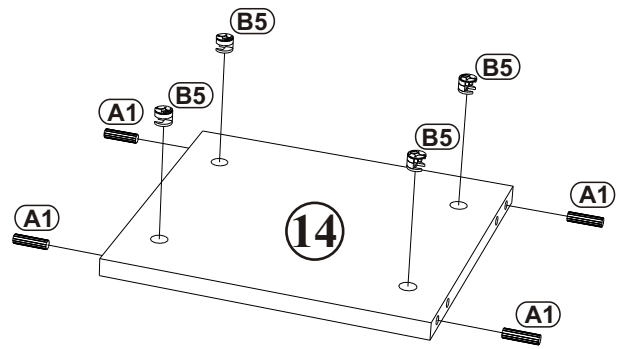
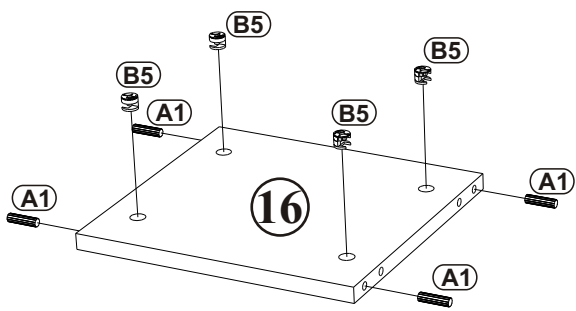
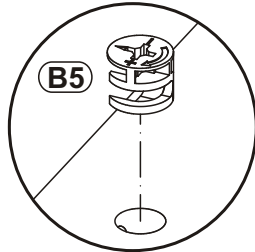


ZX		G5	
x2	ø7x50	x8	



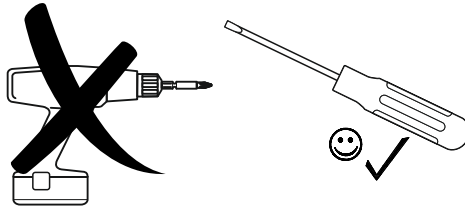
18

B5		A1	
x8	ø15x12	x8	ø8x30

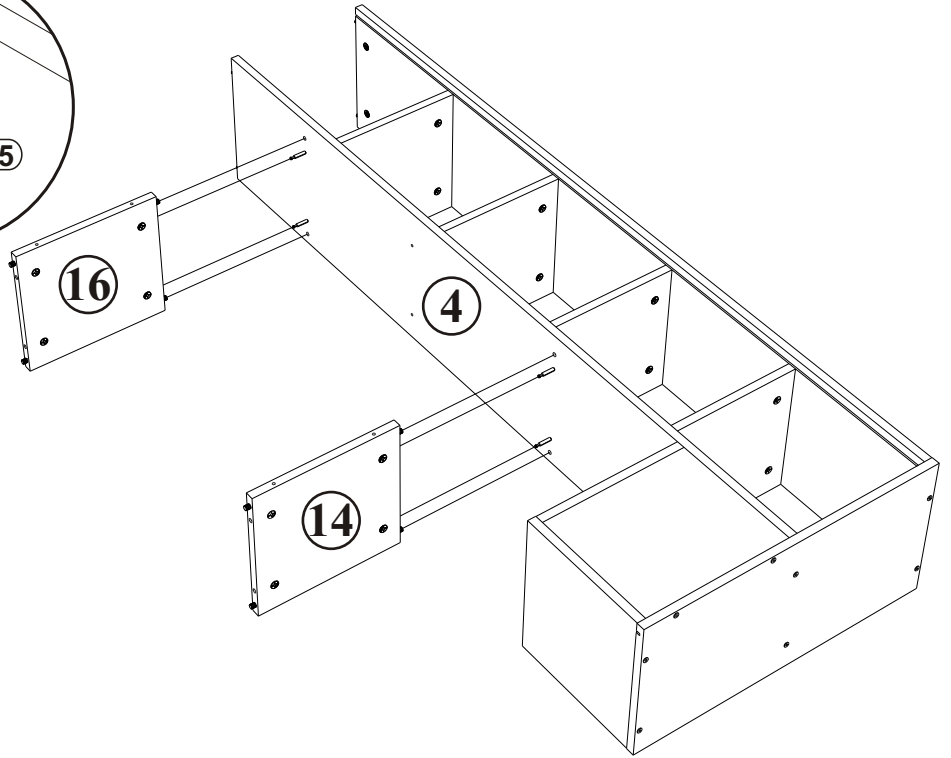
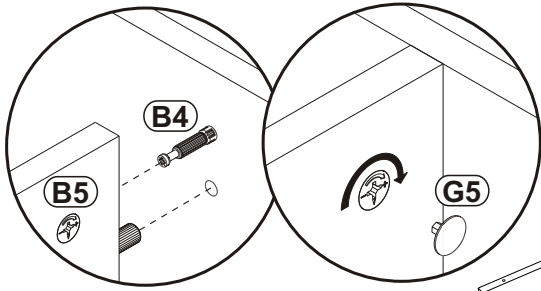


POINT TYP-70

19

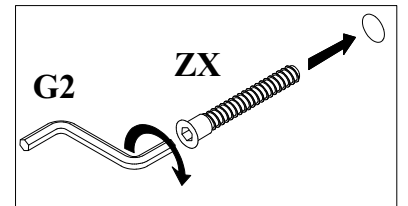
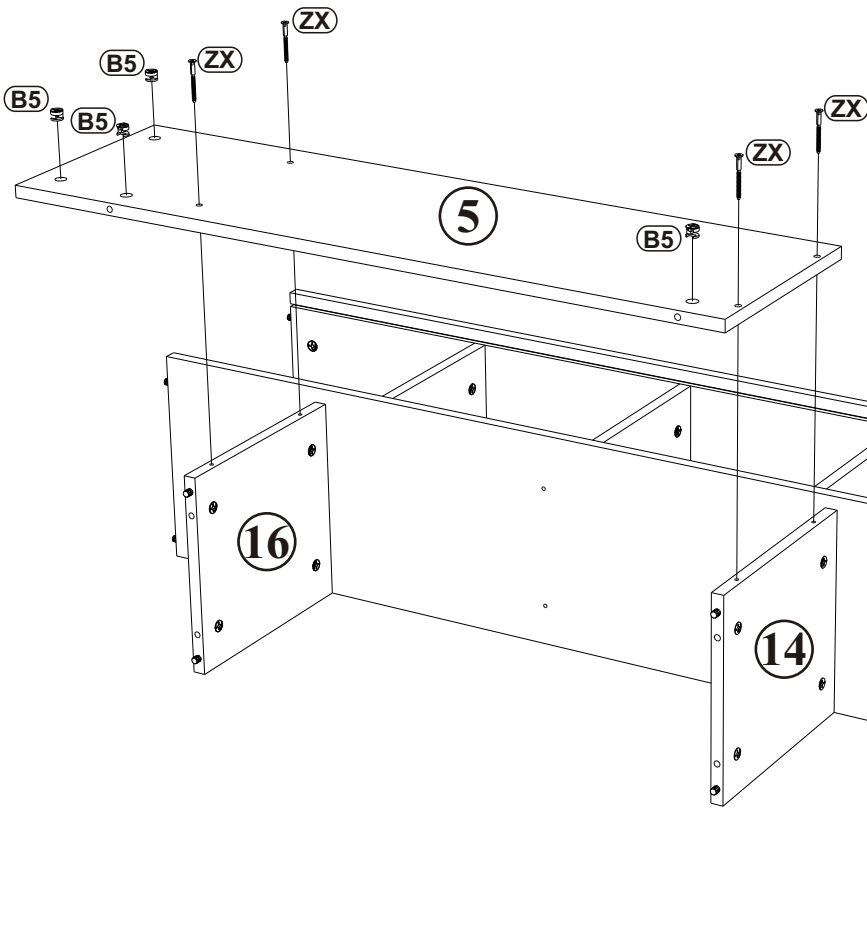


G5	
x4	



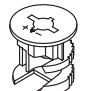
20


B5		ZX	
x4	ø15x12	x4	ø7x50

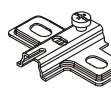


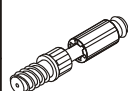
POINT TYP-70

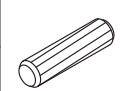
21

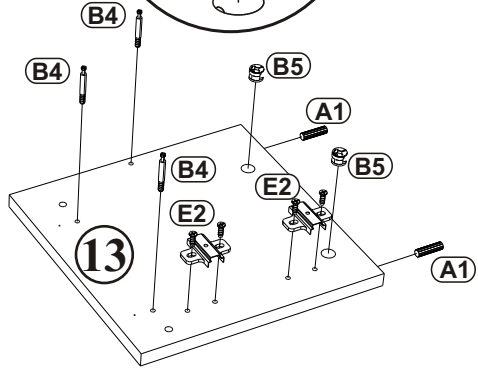
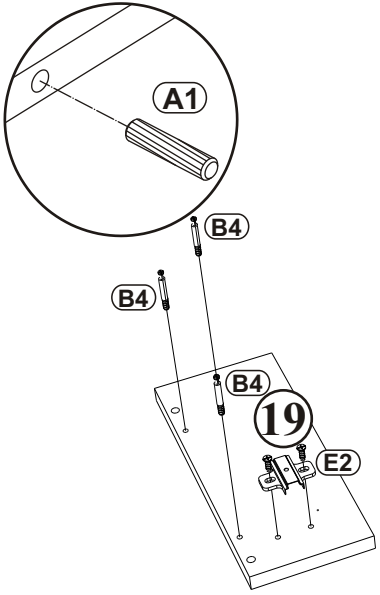
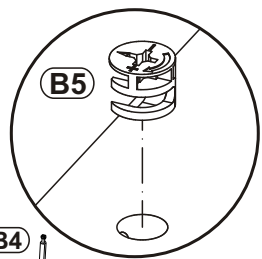
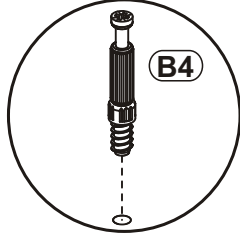
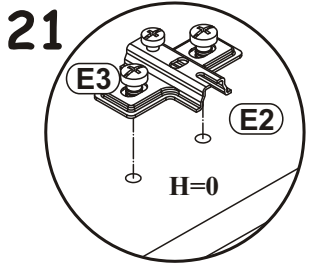
B5	
x2	ø15x12

E3	
x6	ø6,3x13

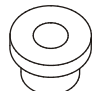
E2	
x3	H=0

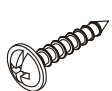
B4	
x6	

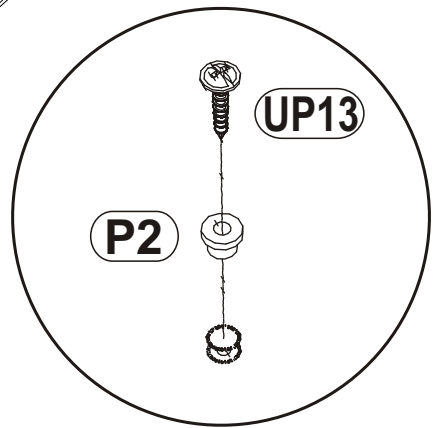
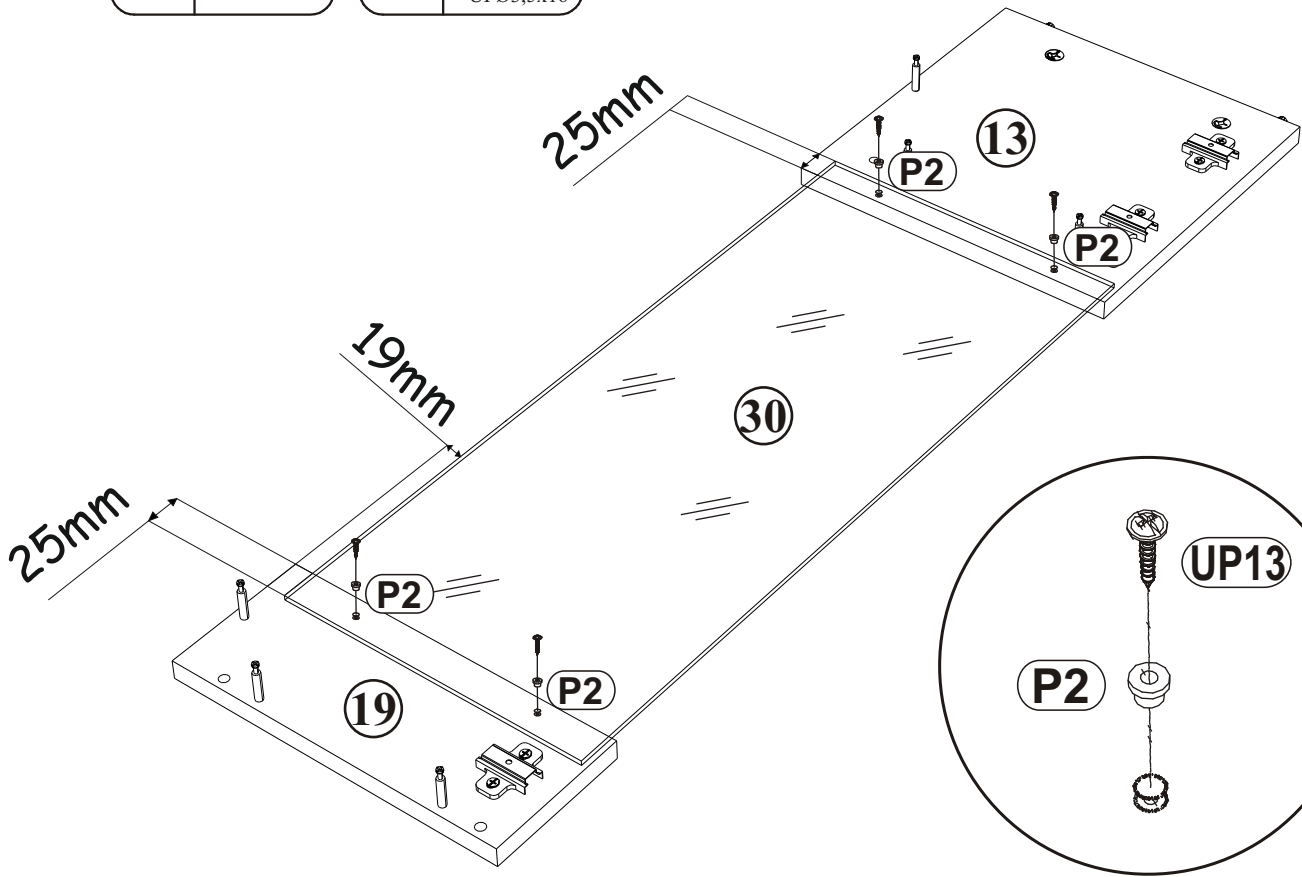
A1	
x2	ø8x30



22

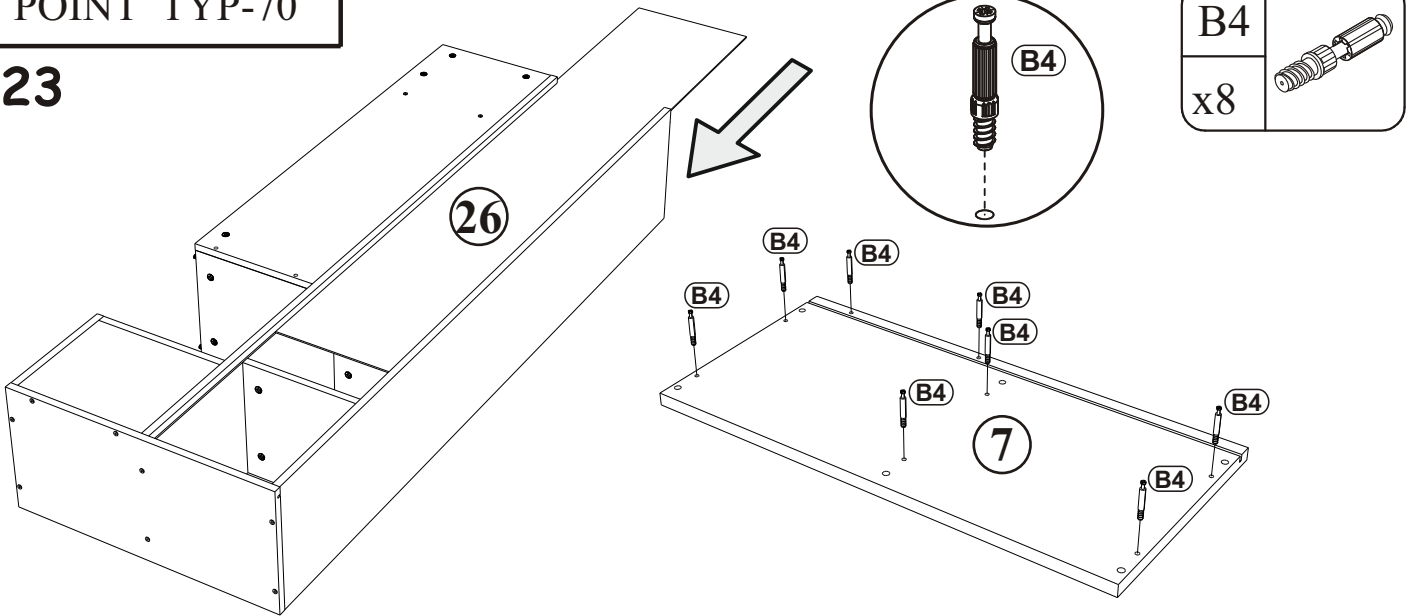
P2	
x4	

UP13	
x4	UPØ3,5x16

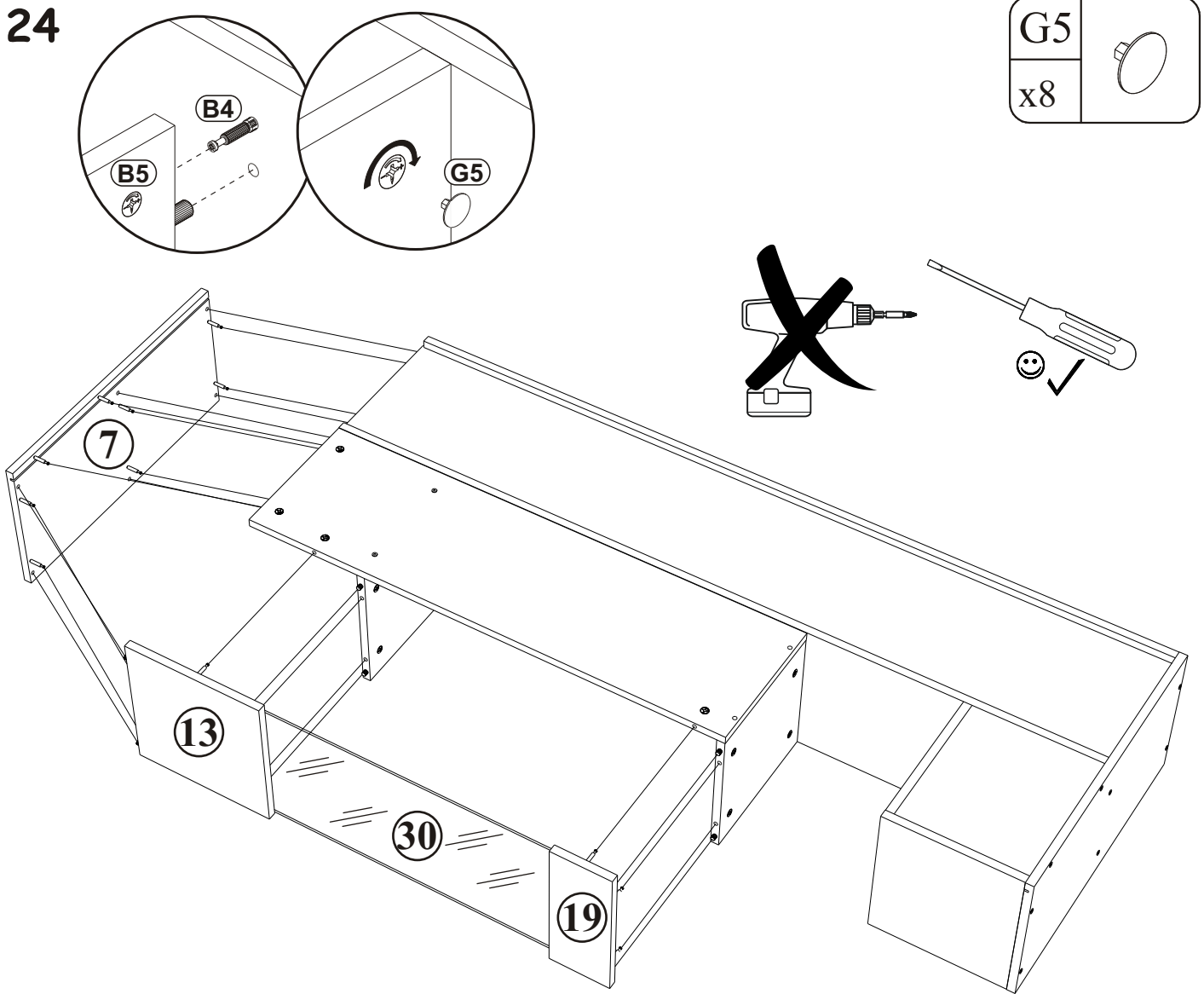


POINT TYP-70

23

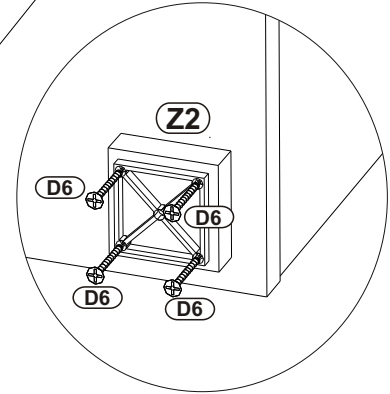
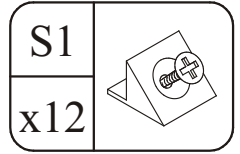
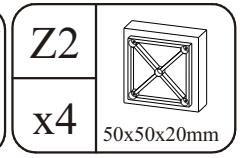
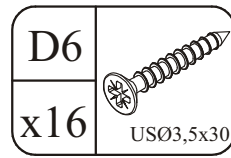
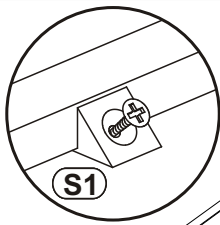
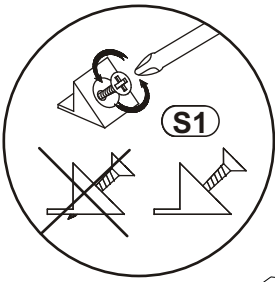
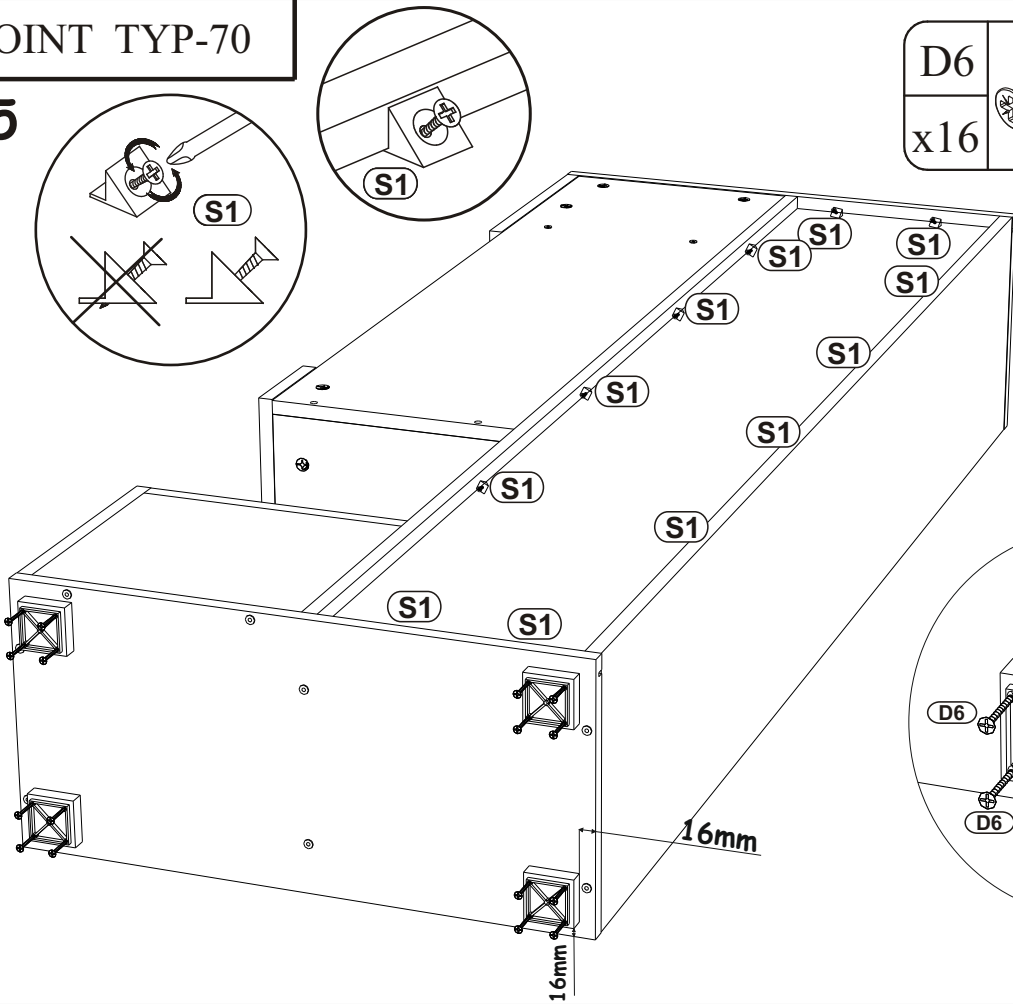


24

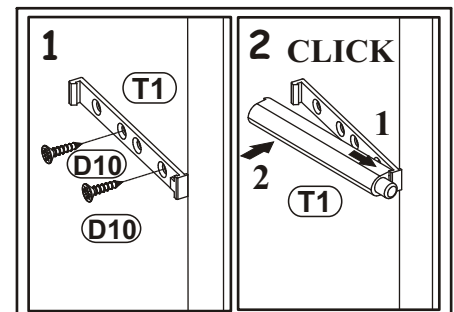
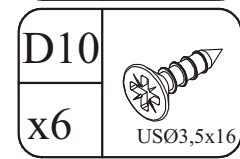
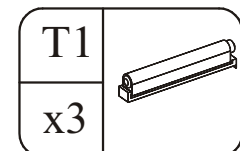
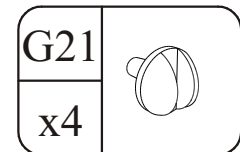
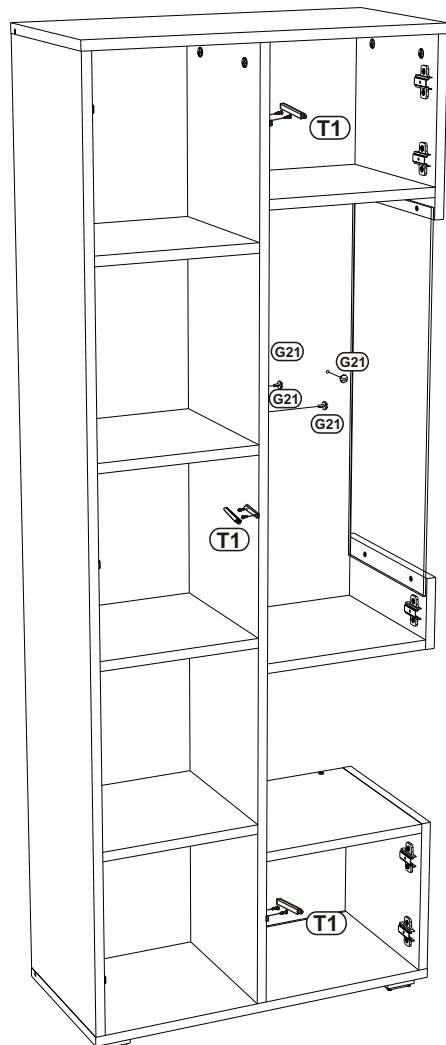


POINT TYP-70

25

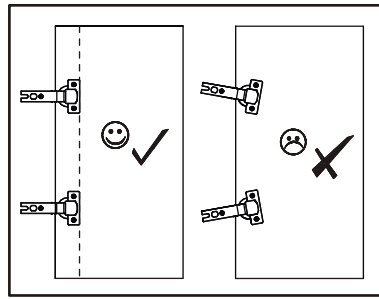


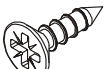
26

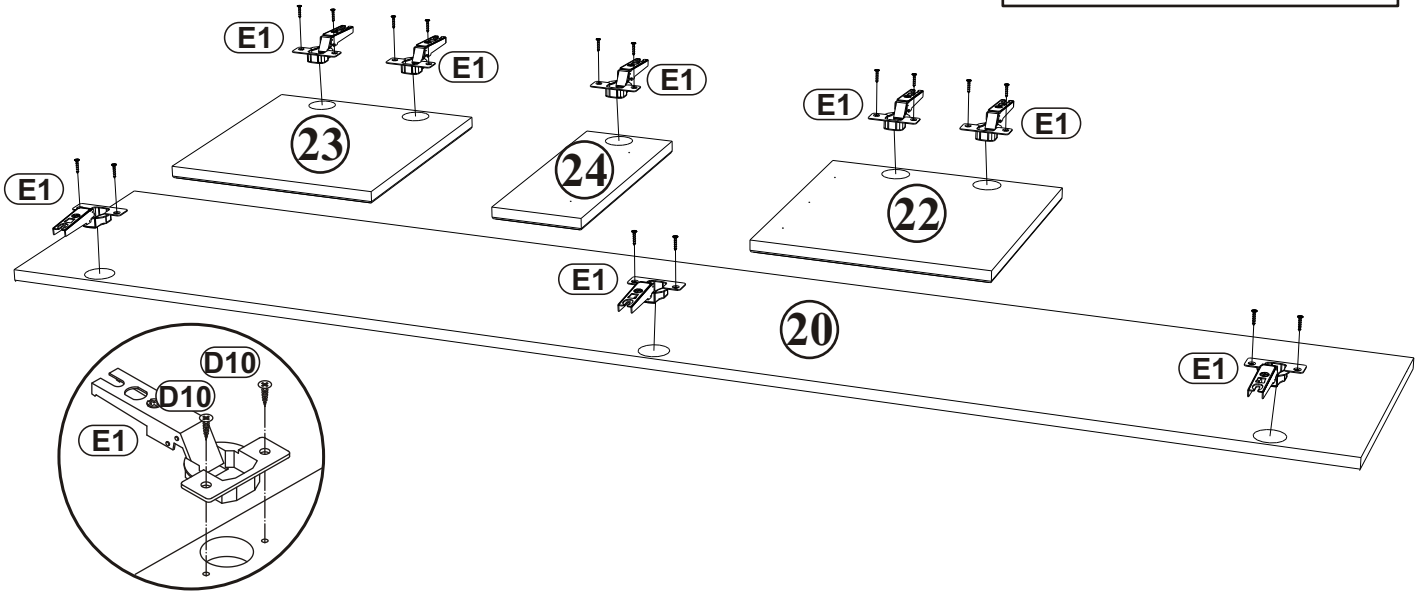
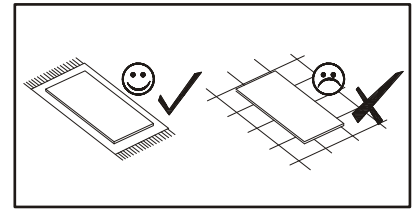


POINT TYP-70

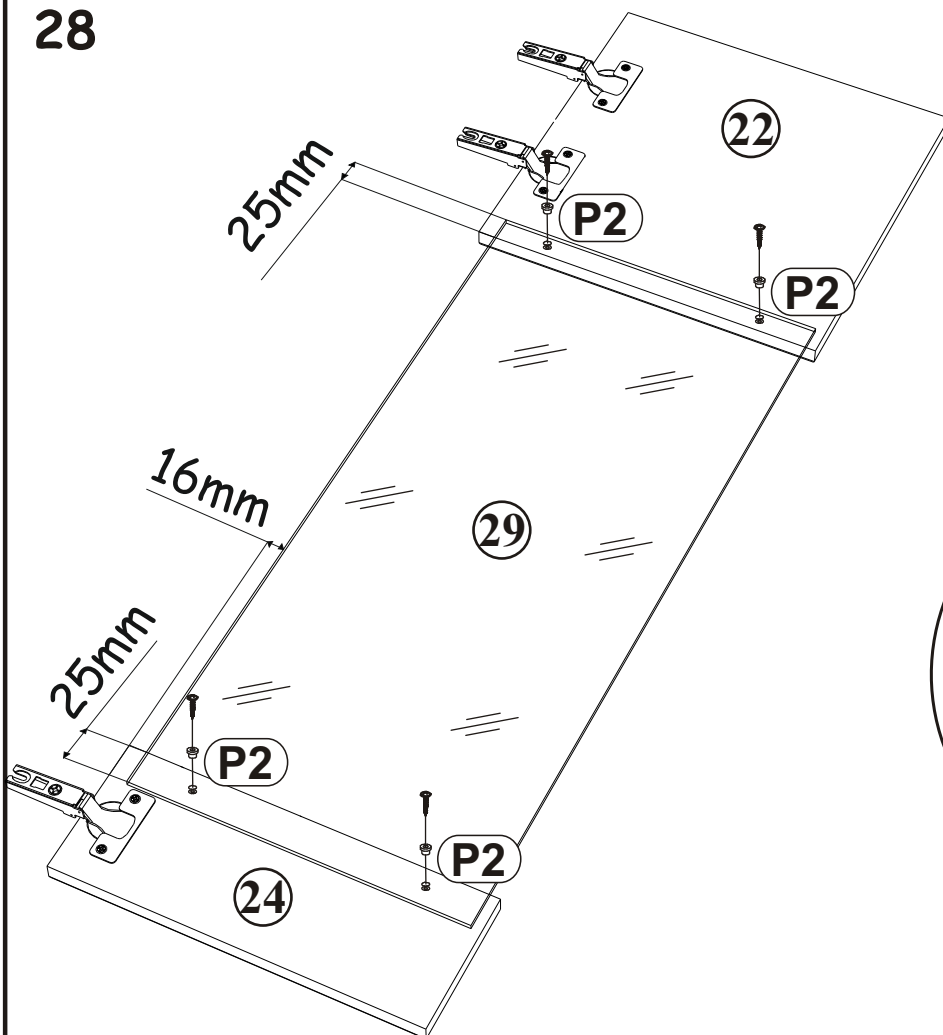
27



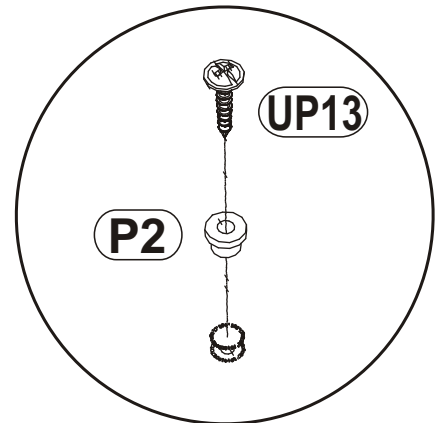
D10		E1	Ø35
x16	USØ3,5x16	x8	H=0



28

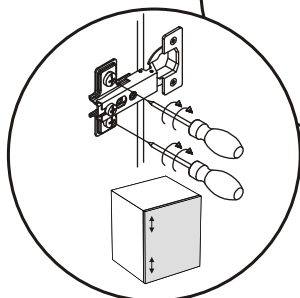
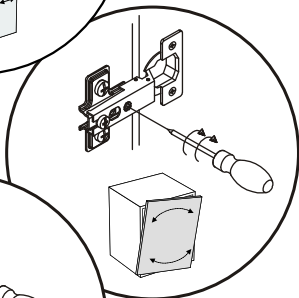
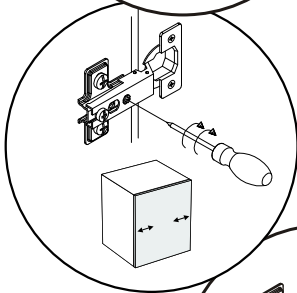
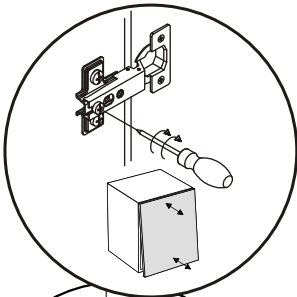
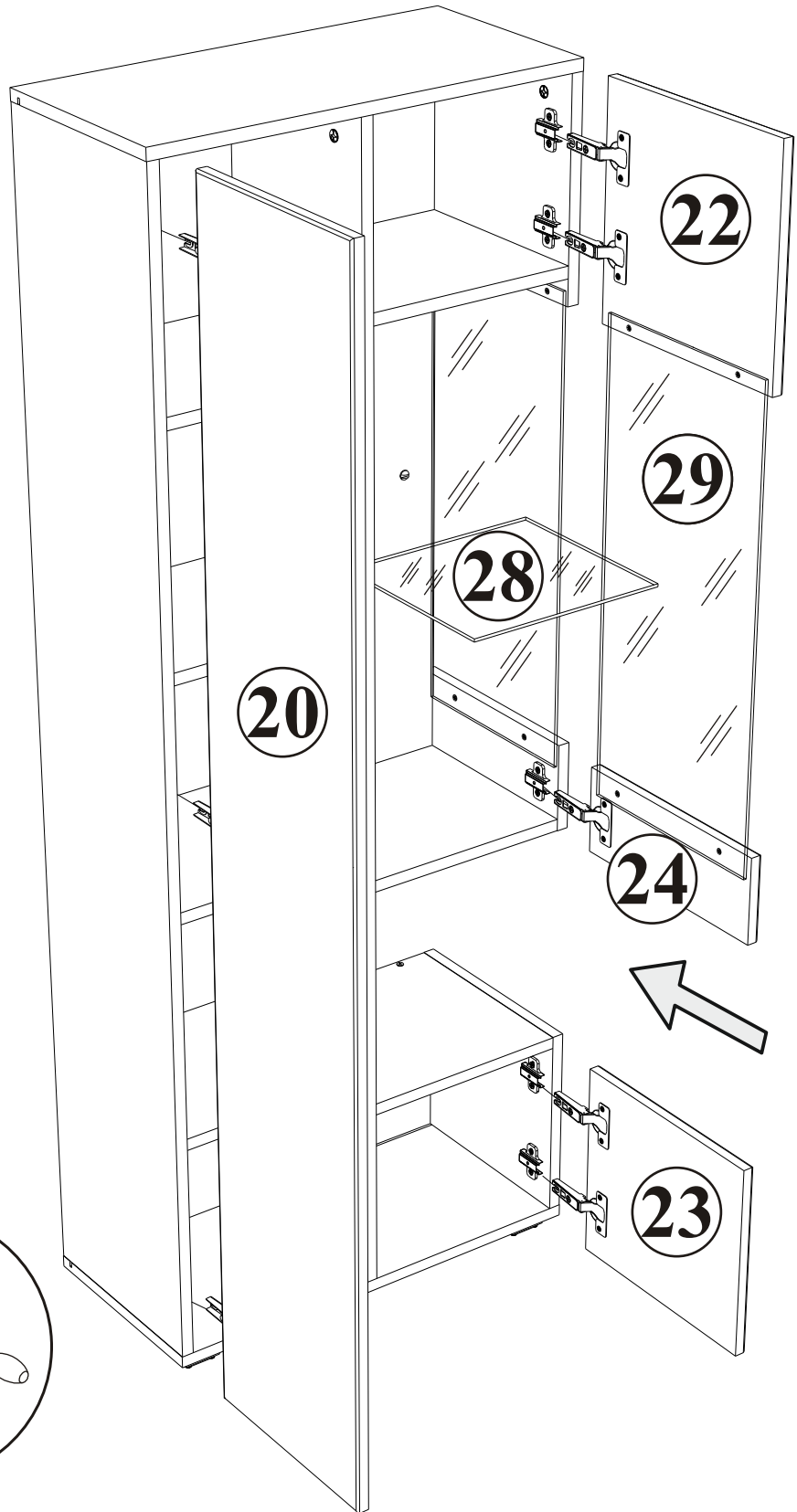


P2		UP13	
x4		x4	UPØ3,5x16



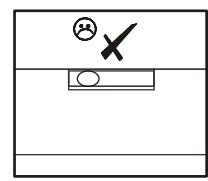
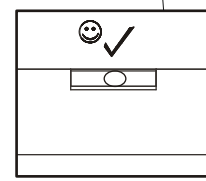
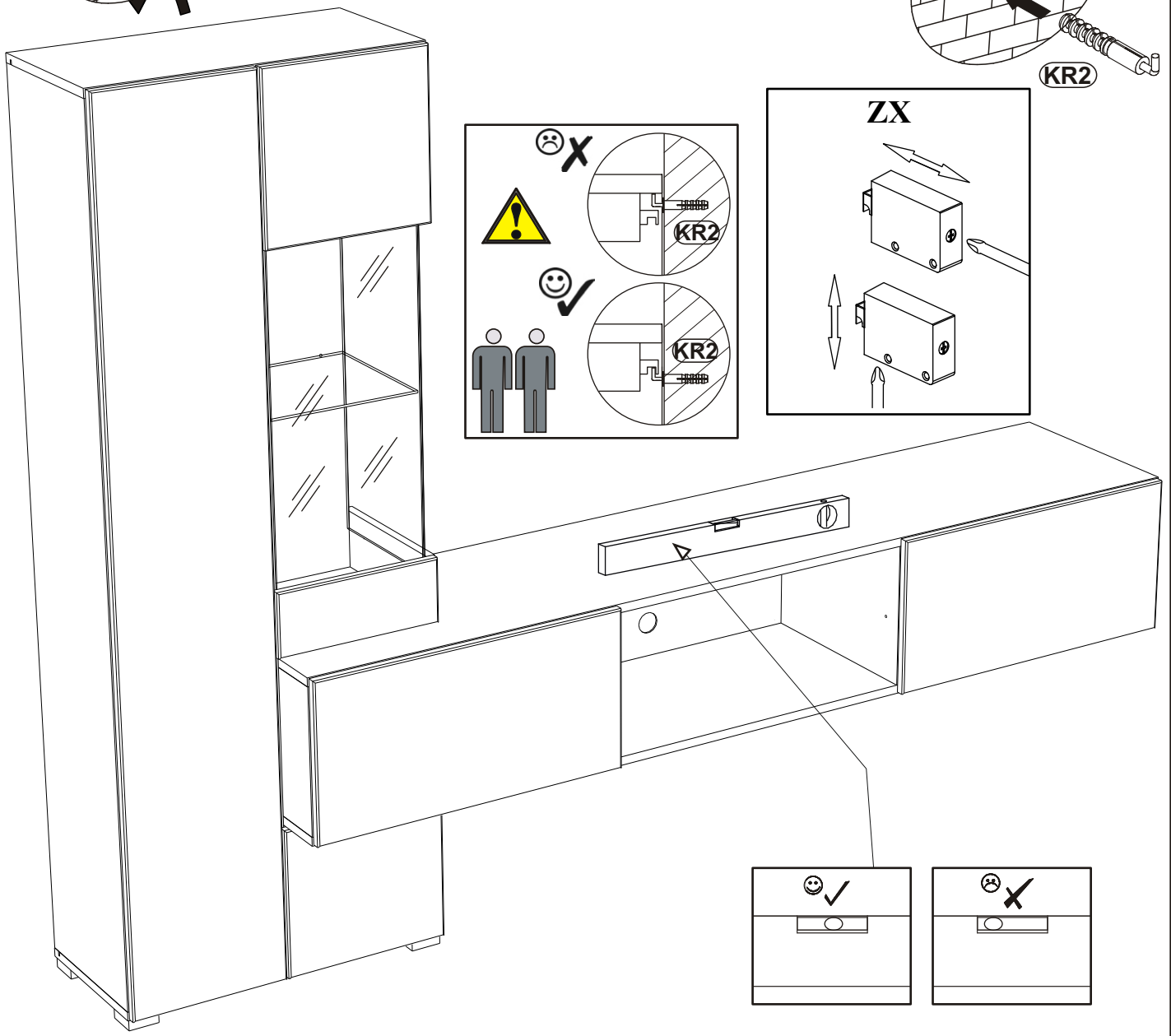
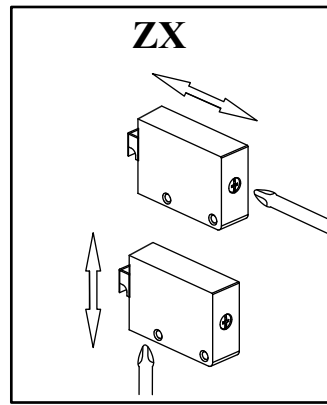
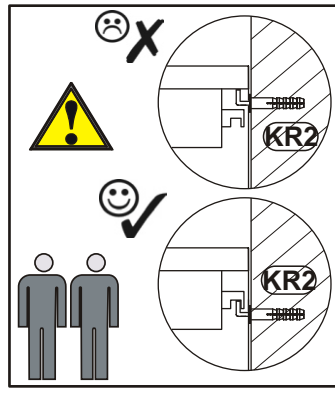
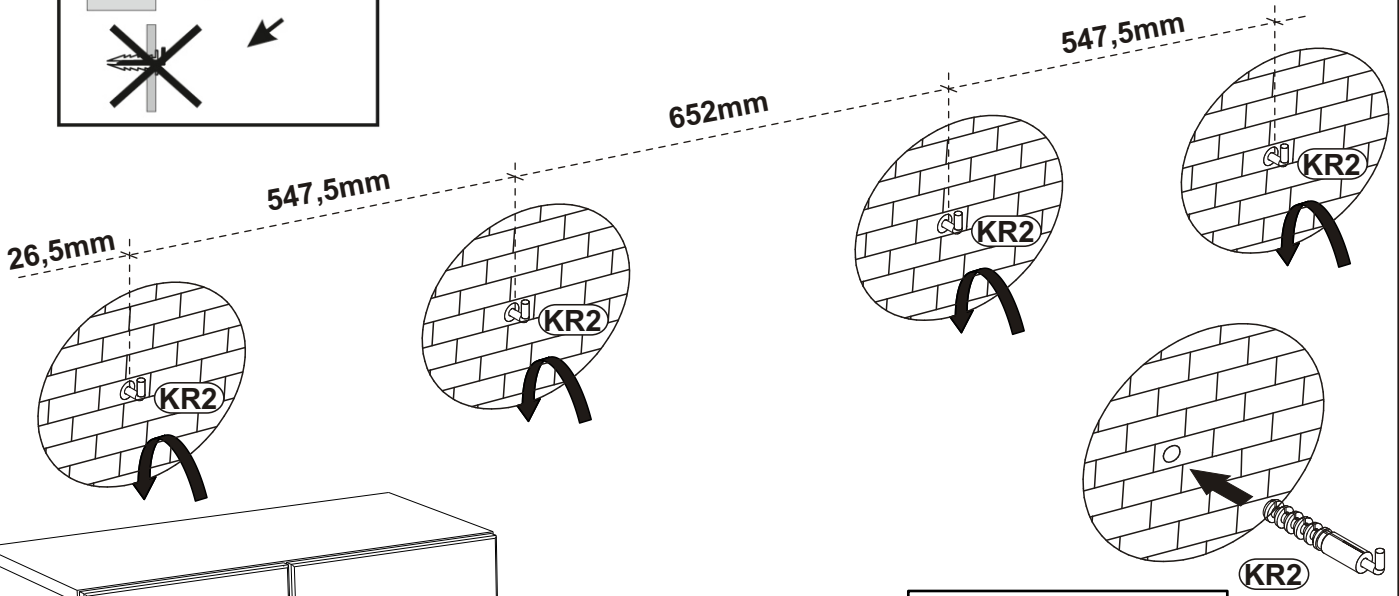
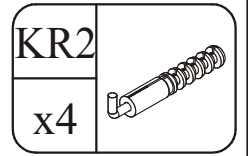
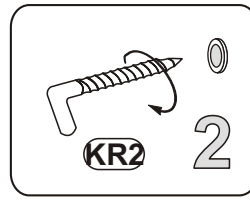
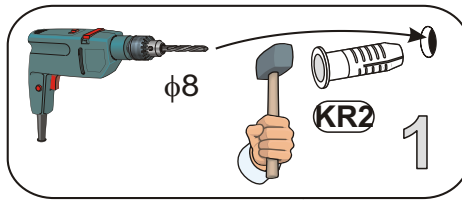
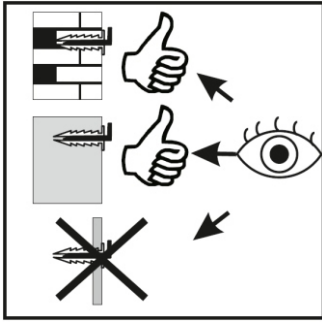


29



POINT TYP-70

30



31

