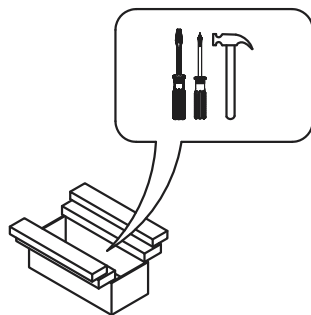
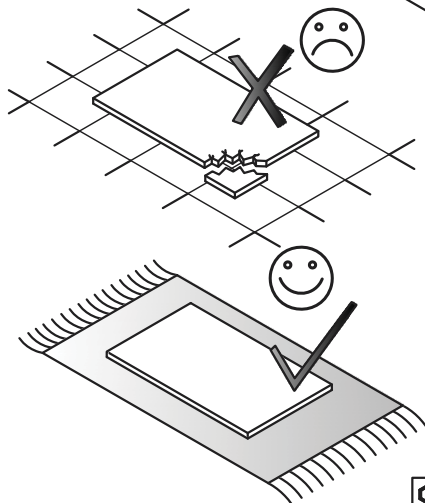
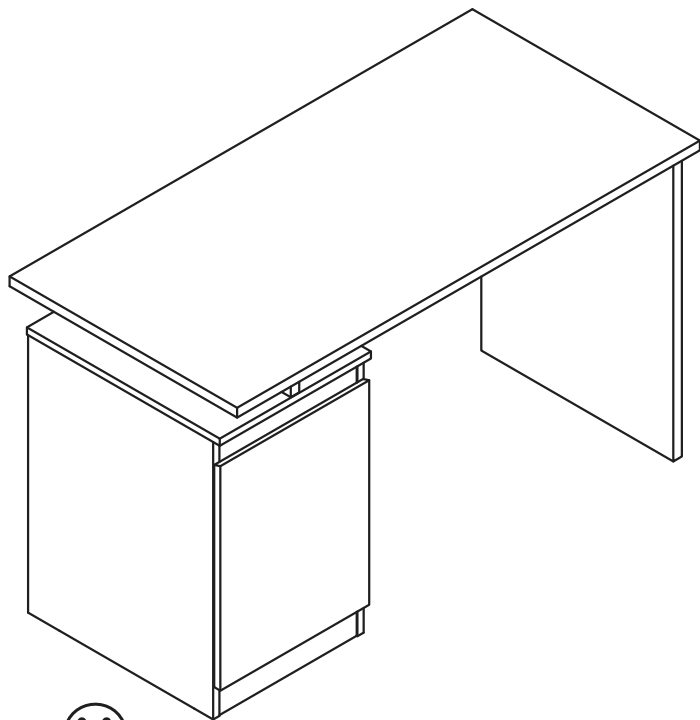
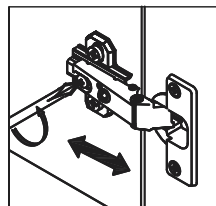
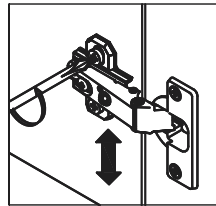
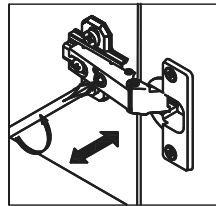
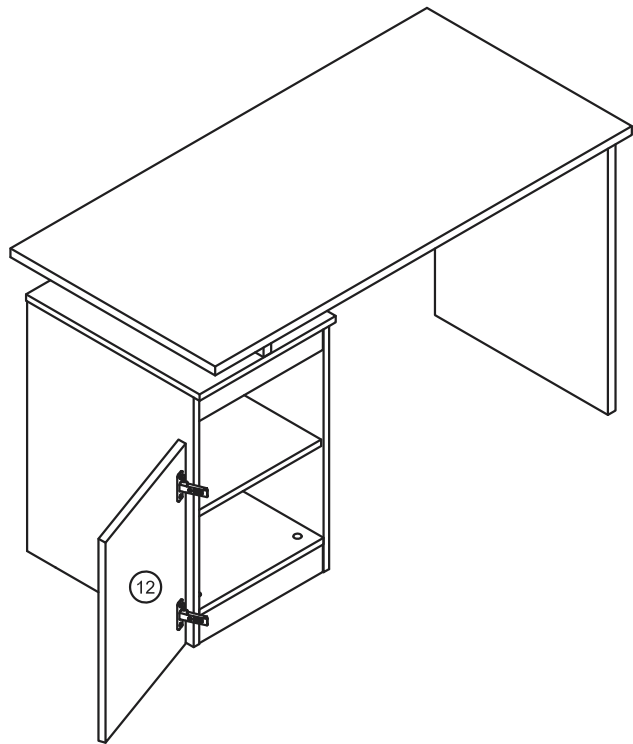
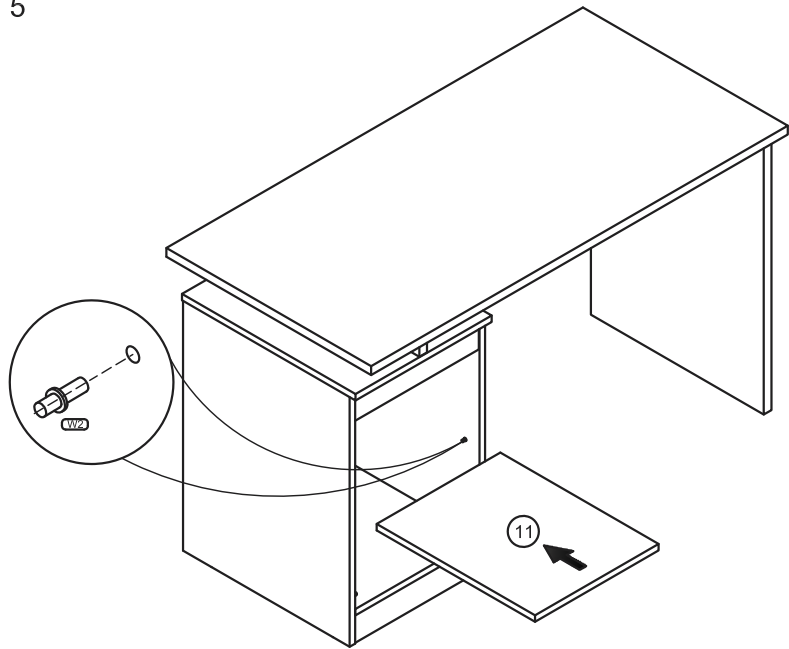


A	B	C
1	624x480x16	1/1
2	624x480x16	1/1
3	624x358x16	1/1
4	710x498x16	1/1
5	70x498x16	1/1
6	462x358x16	1/1
7	1200x590x16	1/1
8	392x500x16	1/1
9	358x70x16	2/1
10	792 x180x16	1/1
11	456x356x16	1/1
12	504x386x16	1/1

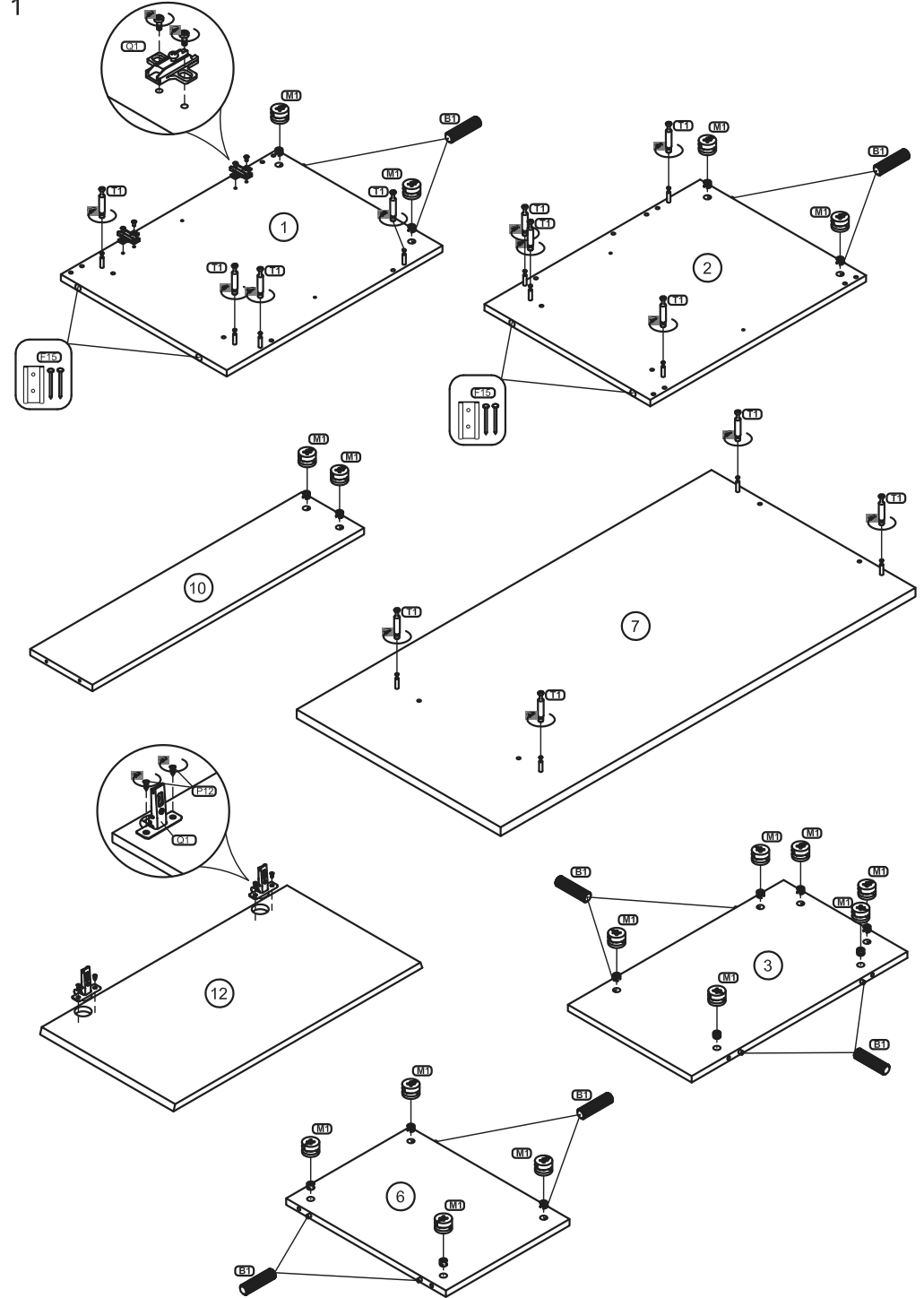


- |               |                             |                          |                               |                      |
|---------------|-----------------------------|--------------------------|-------------------------------|----------------------|
| <br>1x        | <br>P12<br>Ø3.5x16 mm<br>4x | <br>ST3<br>Ø7x50mm<br>4x | <br>Q1<br>2x                  | <br>Q1<br>H=0<br>2x  |
| <br>F15<br>6x | <br>W2<br>Ø6x16 mm<br>4x    | <br>T1<br>20x            | <br>M1<br>Ø15x12mm #16<br>20x | <br>M2<br>Ø17<br>24x |
|               |                             |                          | <br>E1<br>Ø8x30mm<br>24x      |                      |

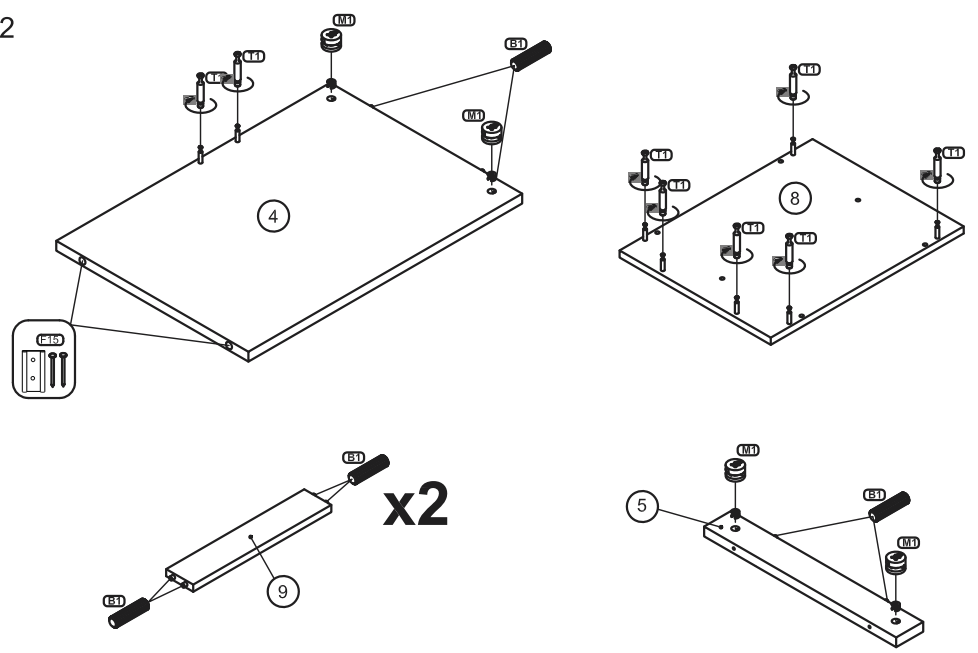
5



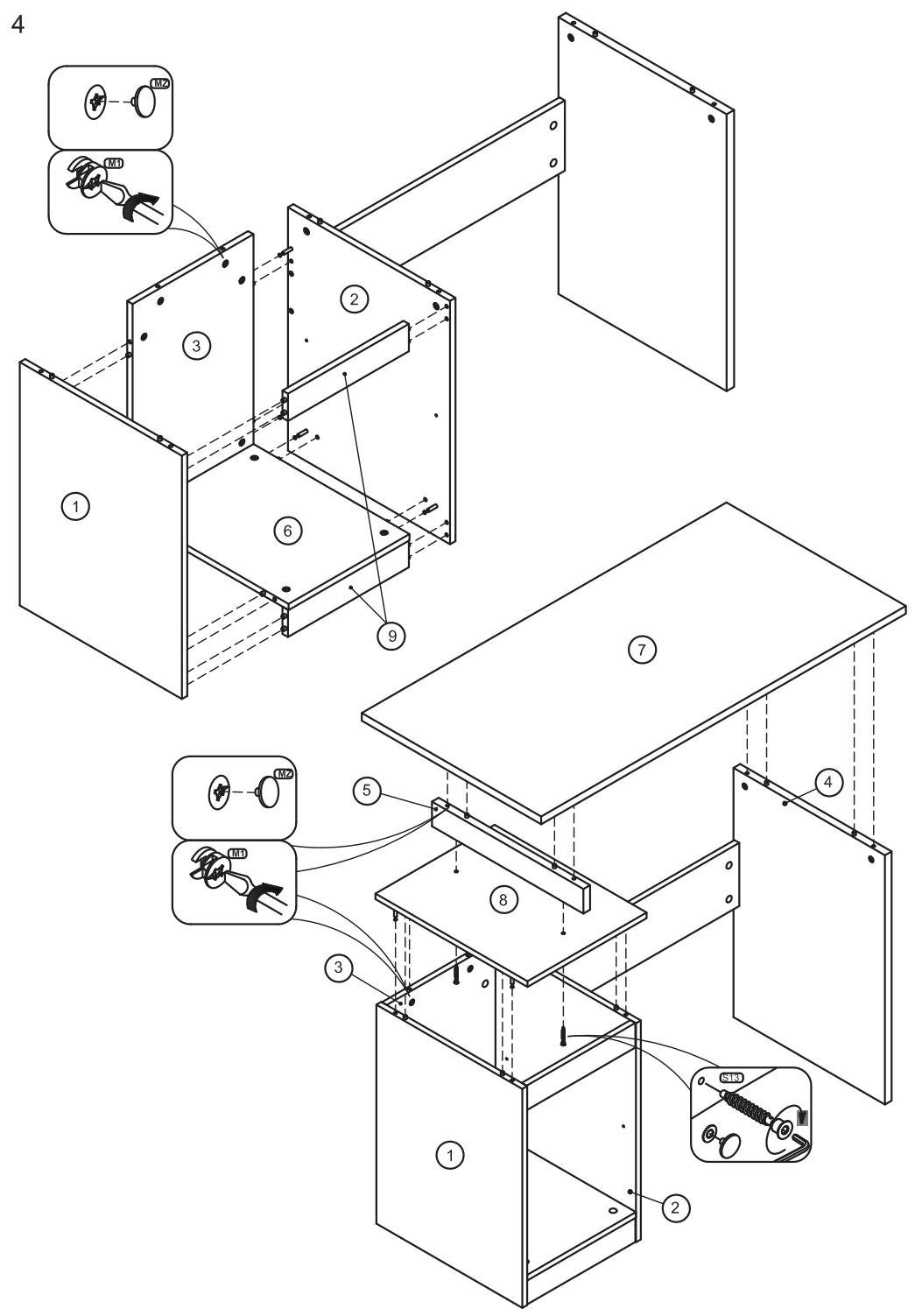
1



2



4



3

