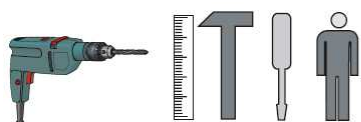
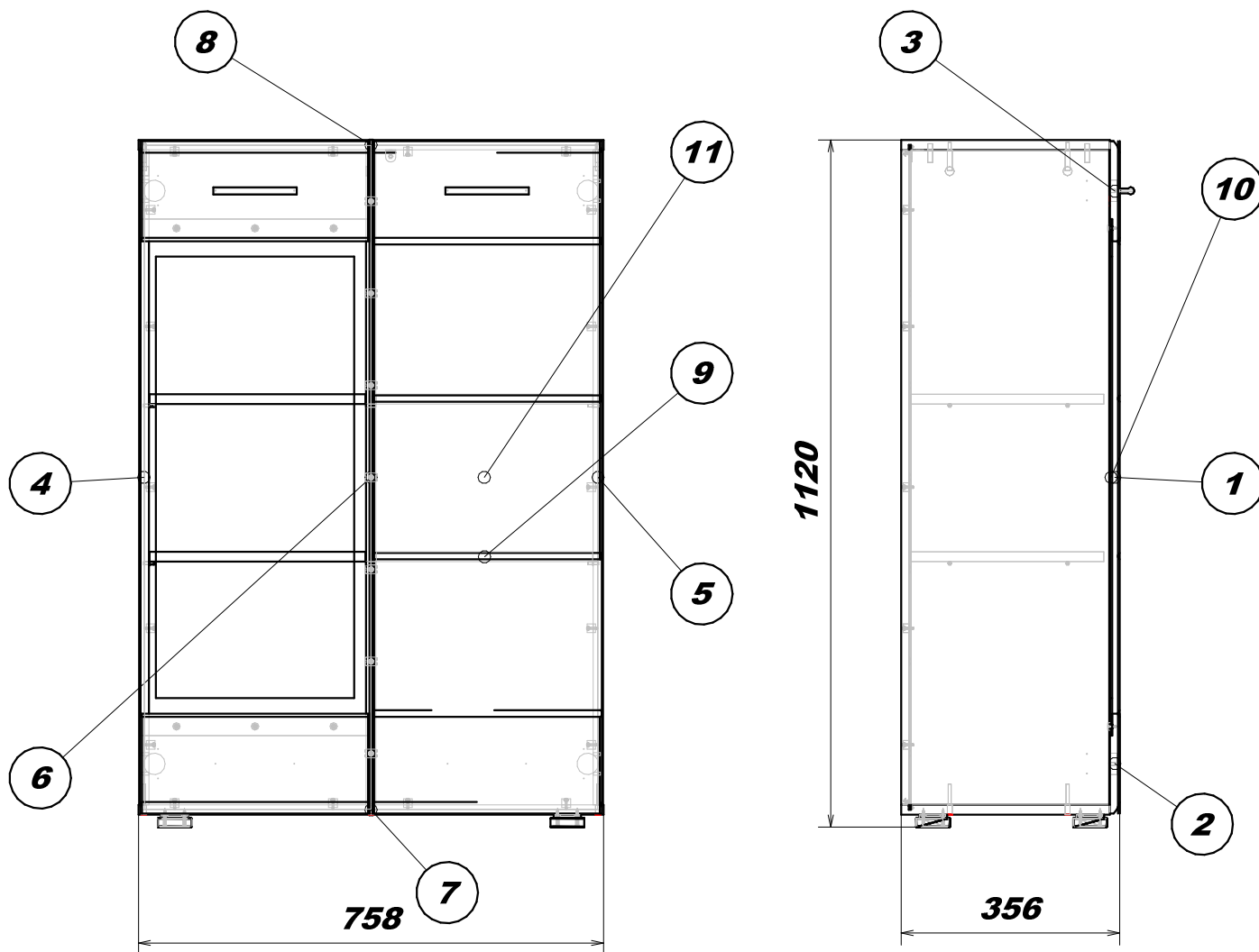


K80 " GLOSS "

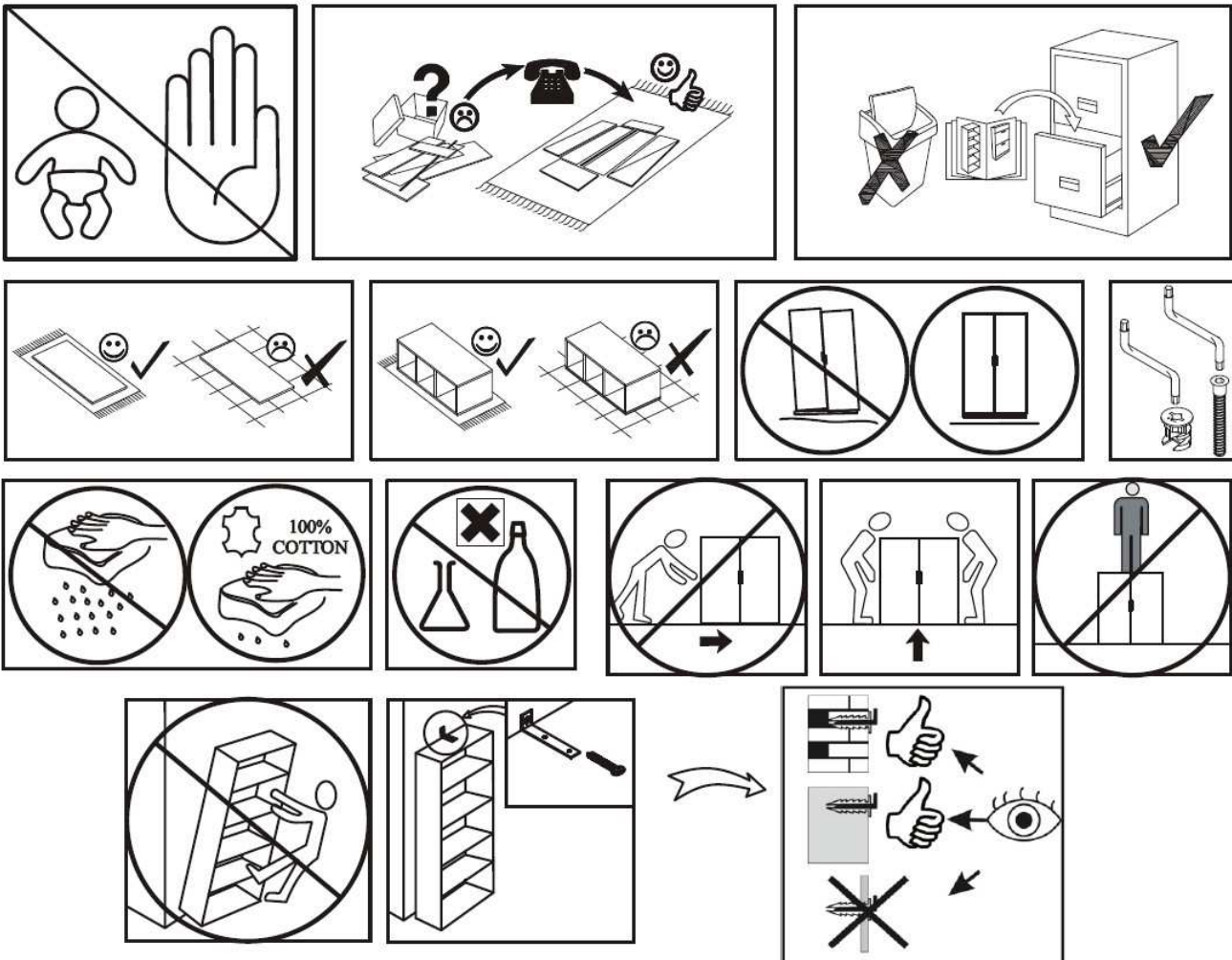
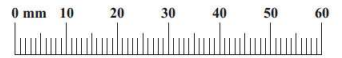


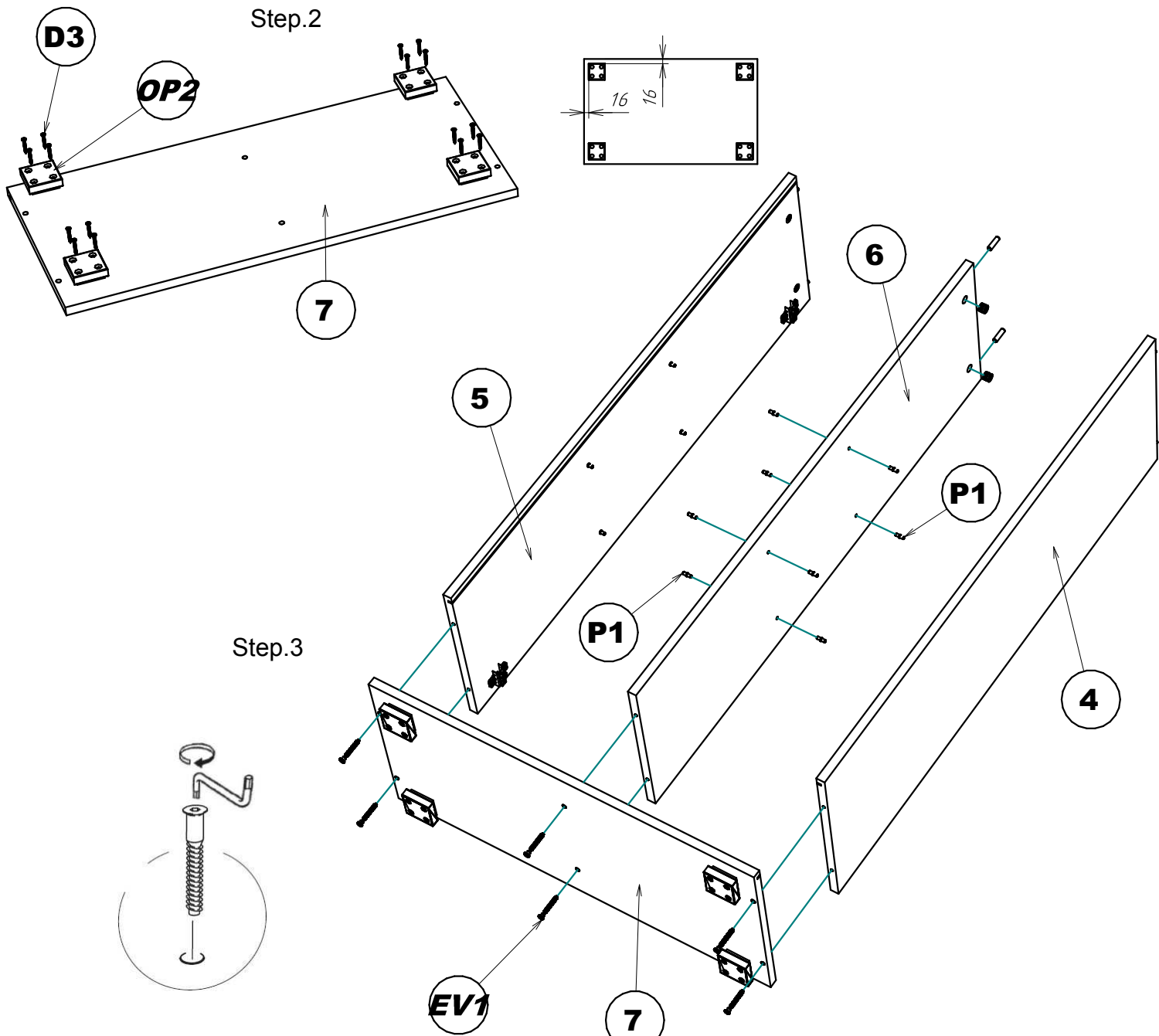
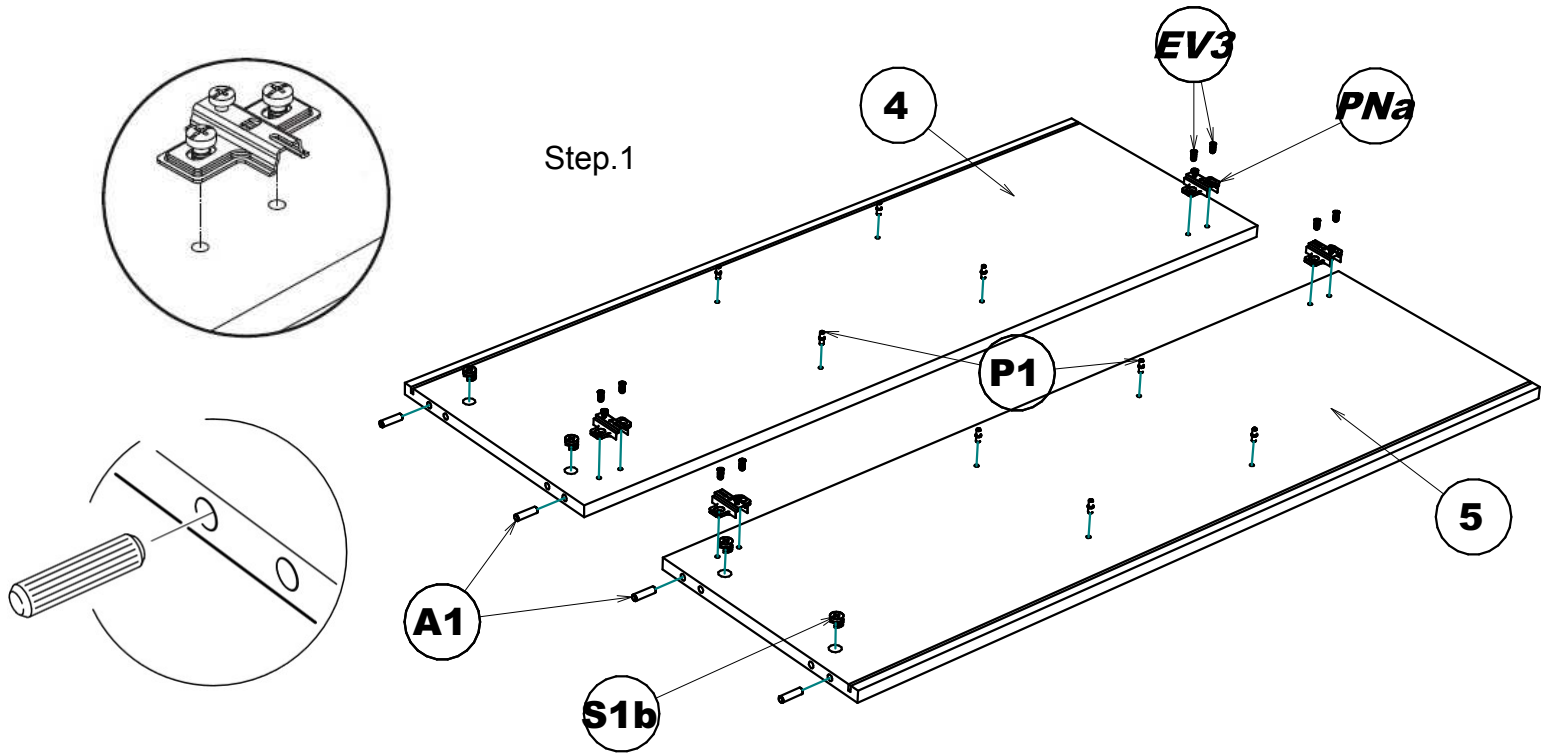
30-60min

| No | Dim | | | Qty |
|----|------|-----|----|-----|
| 1 | 1096 | 374 | 16 | 1 |
| 2 | 163 | 374 | 16 | 1 |
| 3 | 163 | 374 | 16 | 1 |
| 4 | 1068 | 339 | 16 | 1 |
| 5 | 1068 | 339 | 16 | 1 |
| 6 | 1068 | 323 | 16 | 1 |
| 7 | 758 | 340 | 16 | 1 |
| 8 | 758 | 340 | 16 | 1 |
| 9 | 352 | 314 | 16 | 4 |
| 10 | 842 | 373 | 4 | 1 |
| 11 | 1082 | 369 | 3 | 2 |

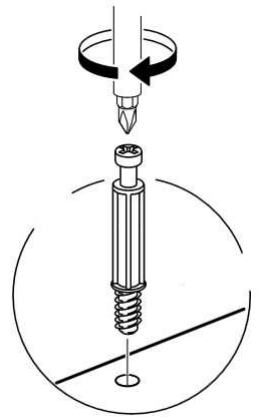
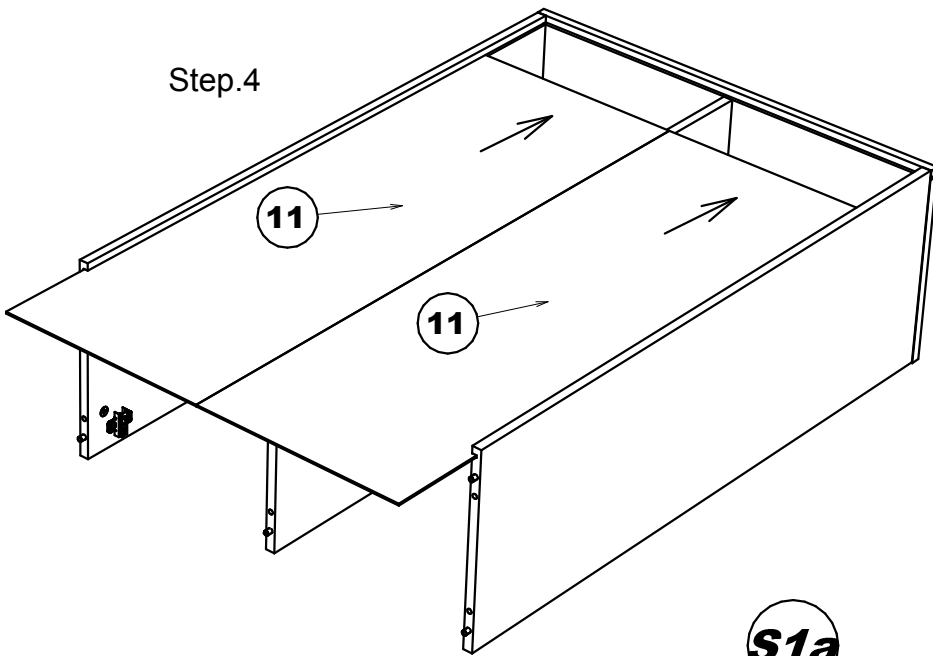


| | | | | | | | |
|--------------------------|--|----------------------------|--|-------------------------------|--|----------------------------|--|
| KS4 x1 S4 | | P1 x16 ø5x16 | | D1 x9 3,5x16 | | D2 x6 3,5x16 | |
| EV1 x6 7x50 | | EV3 x8 6,3x13 | | D4 x4 4x30 | | D3 x16 3,5x30 | |
| S1 x6 | | ZS x2 D18 | | R4 x2 C-24 (128) | | FZ x18 | |
| PN x4 | | AS x4 | | WP x6 | | OP2 x4 | |
| A1 x6 D8x30 | | D5 x7 3,5x20 | | U1 x1 20x20 | | KR x7 | |

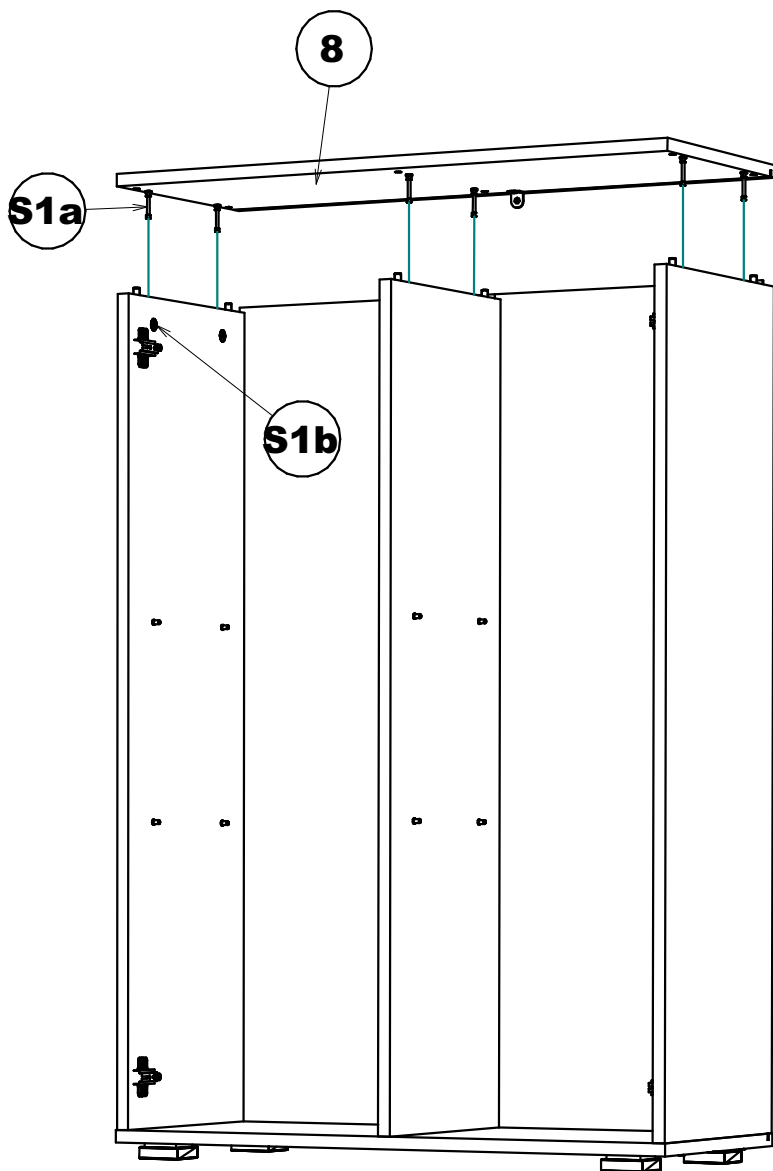
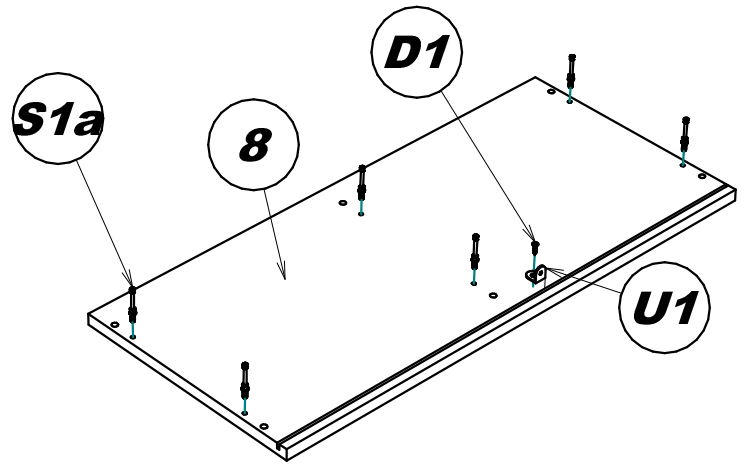




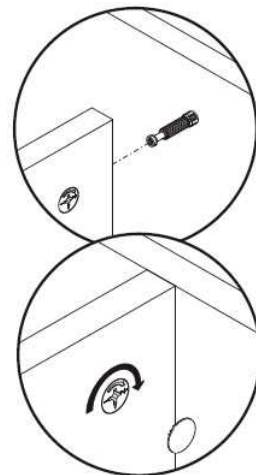
Step.4

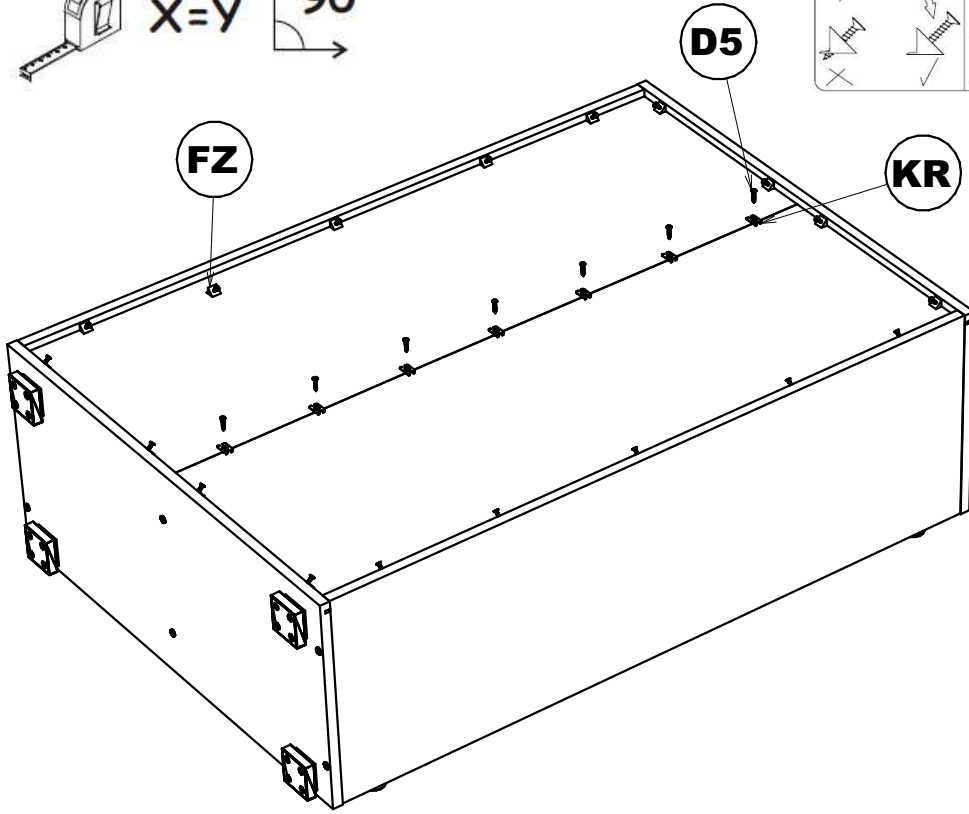
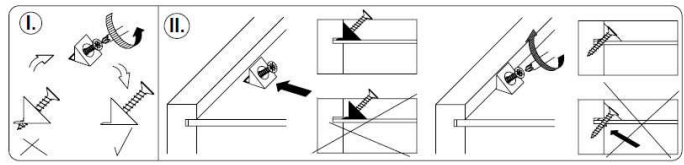
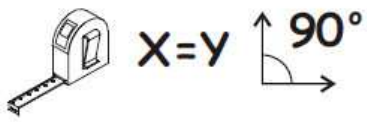


Step.5

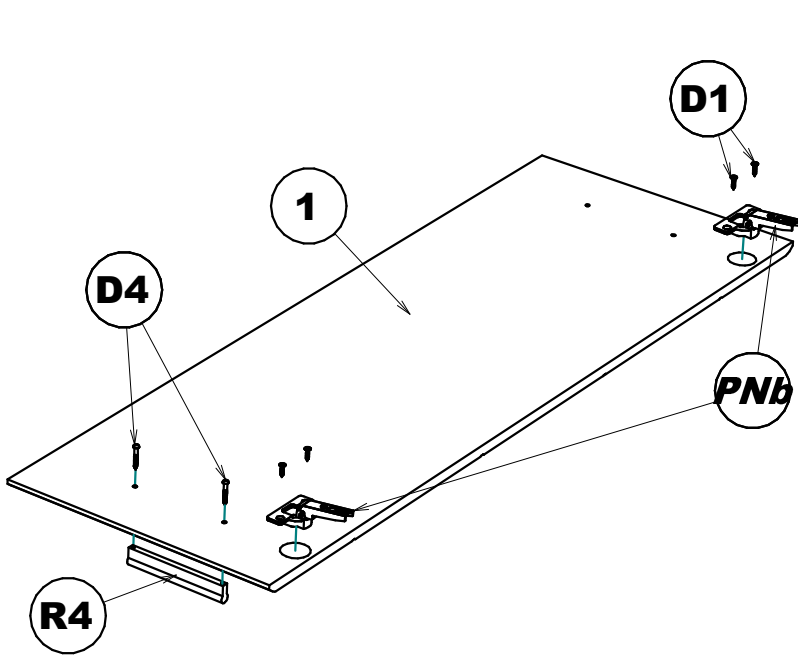


Step.6

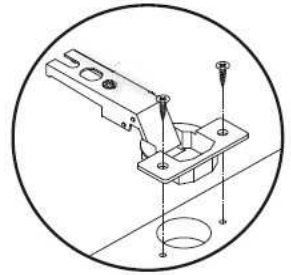
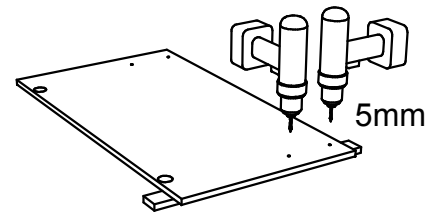




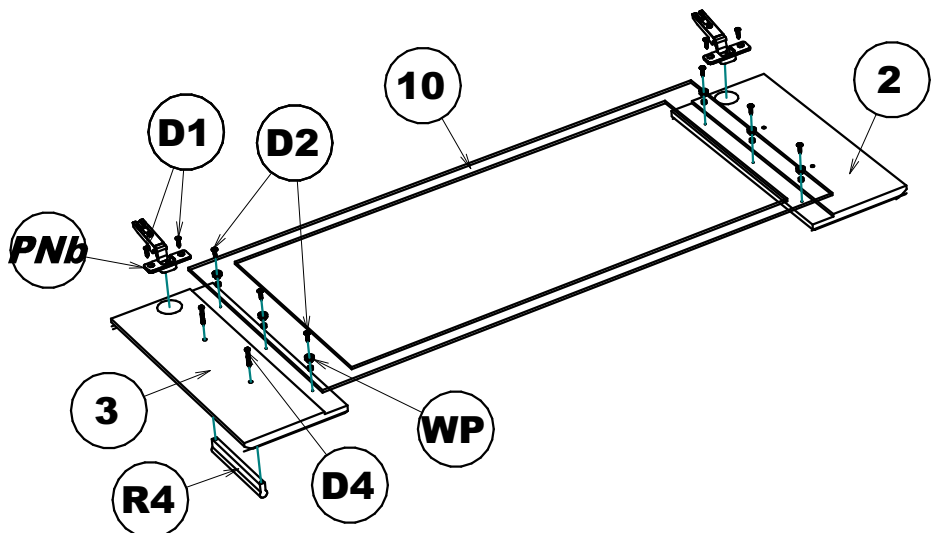
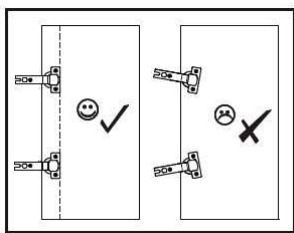
Step.7

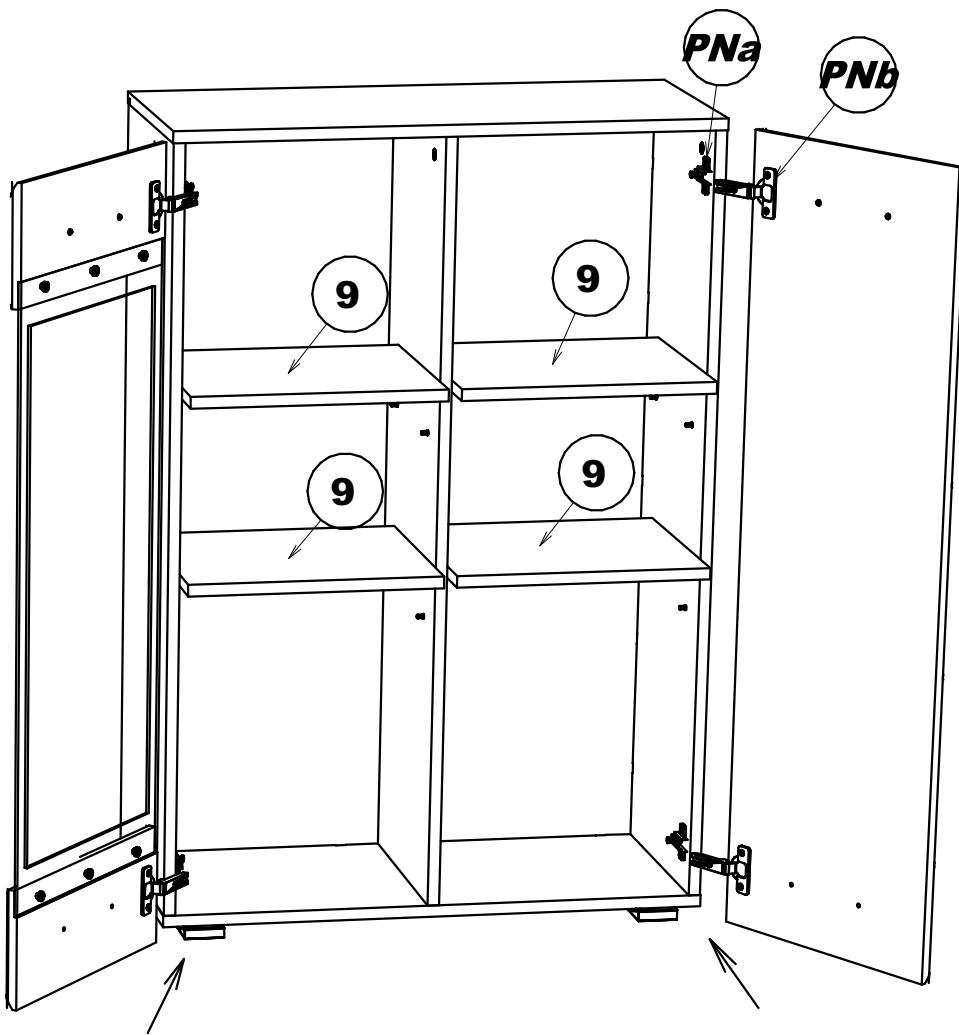


Step.8

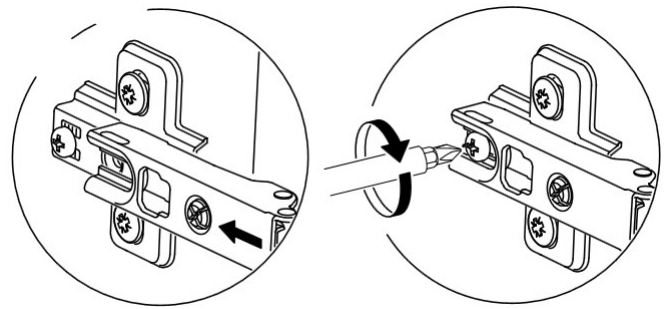
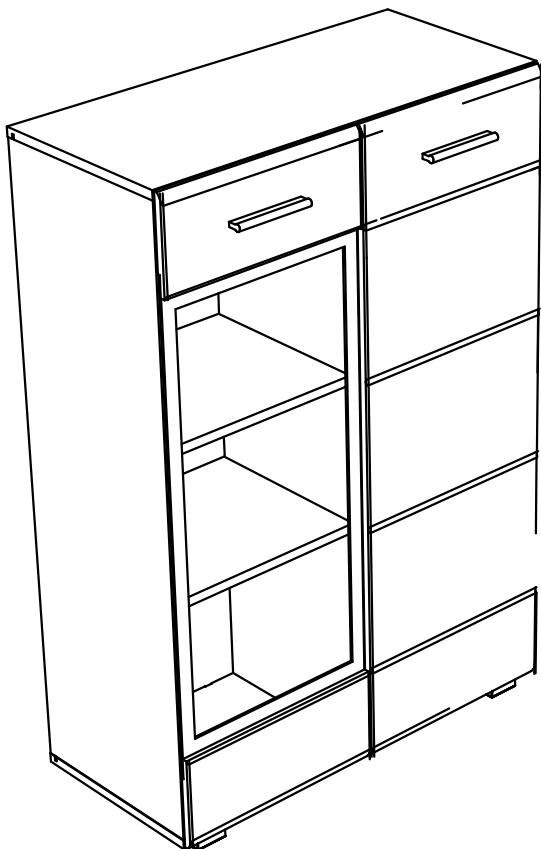
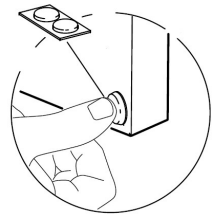


Step.9





Step.10



Step.11

