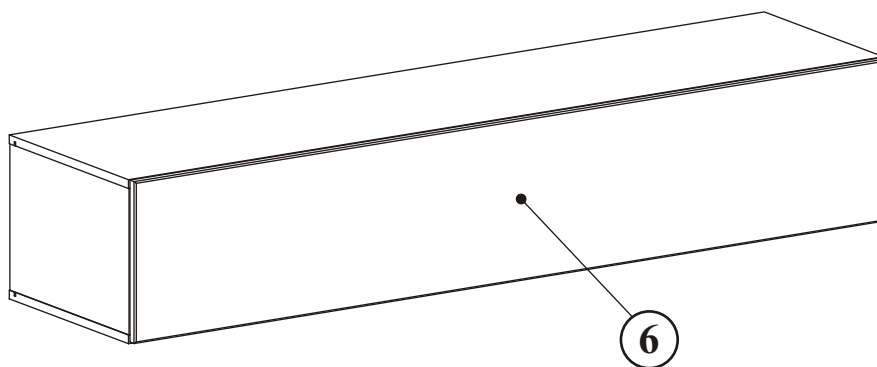
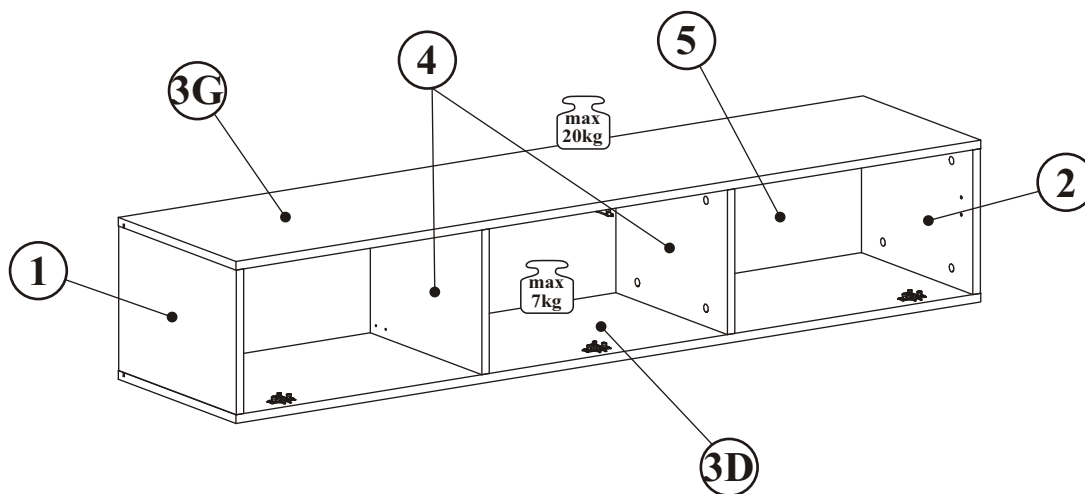
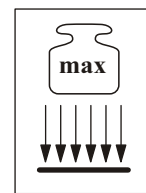
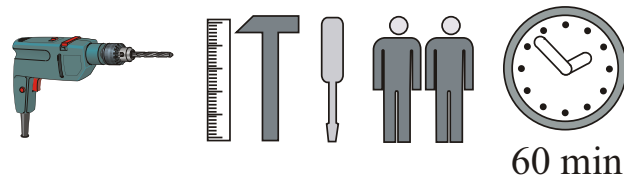


POINT TYP-30

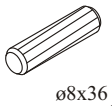
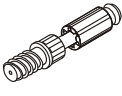




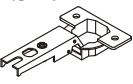
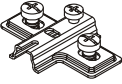
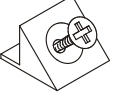



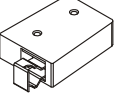
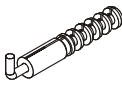



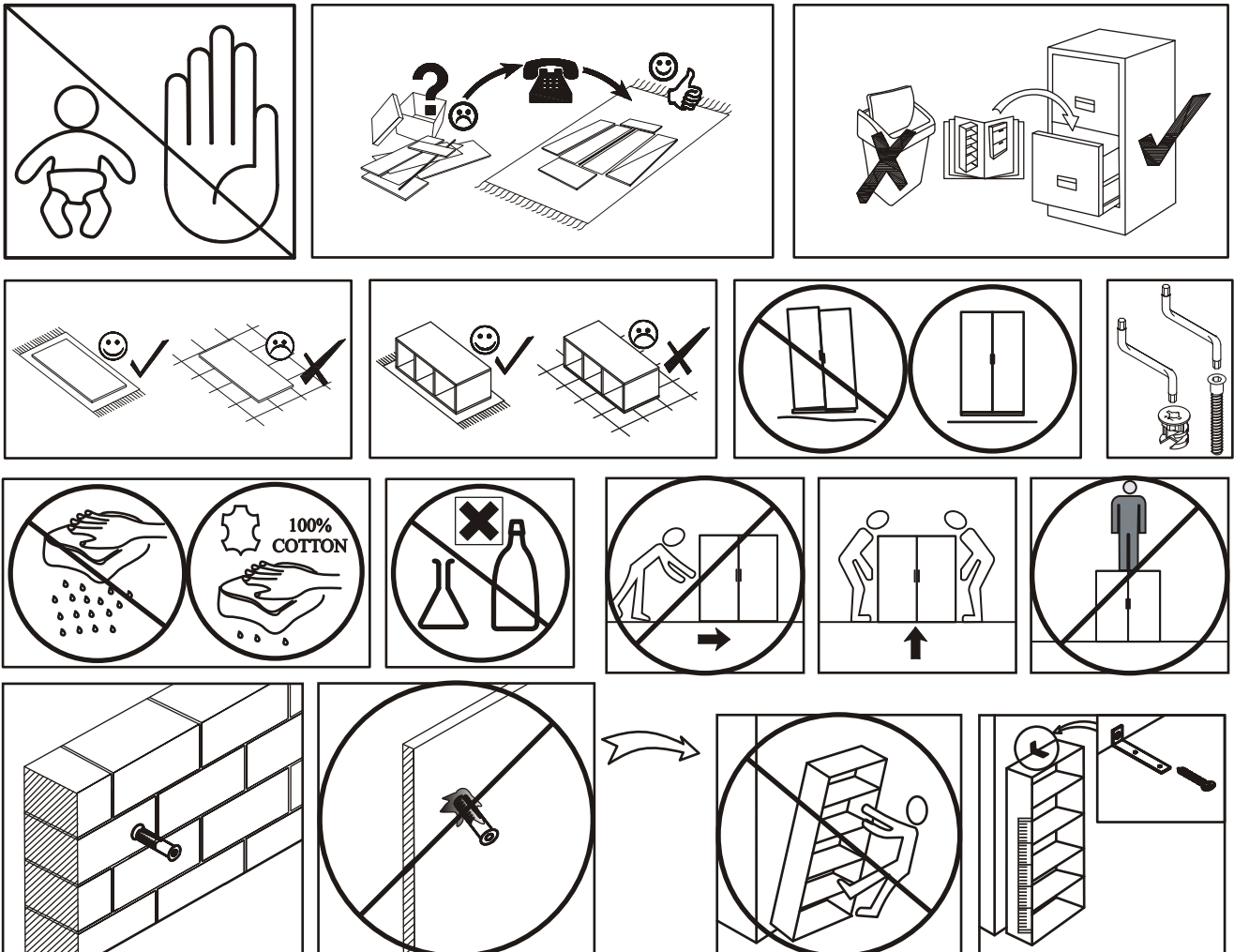
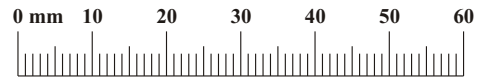
NO	Dim.		Col.-No	Qty
1	268	384	1	1
2	268	384	1	1
3 D/G	1602	384	1	2
4	268	364	1	2
5	1580	280	1	1
6	1596	296	1	1



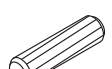

60 min

POINT TYP-30

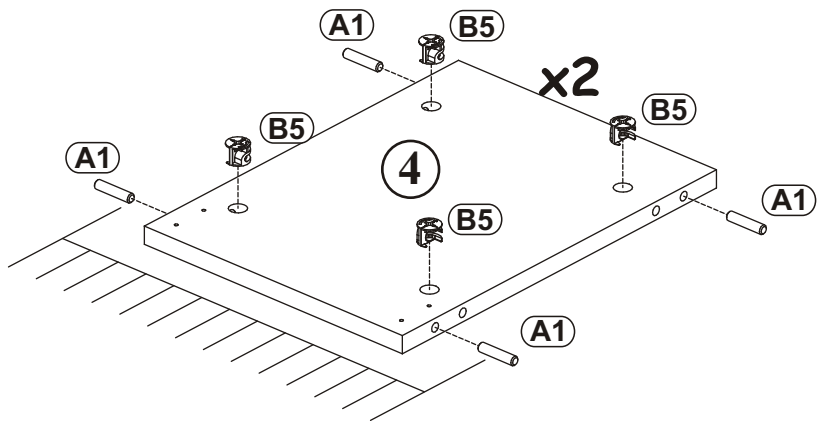
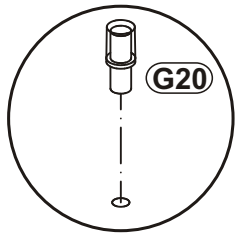
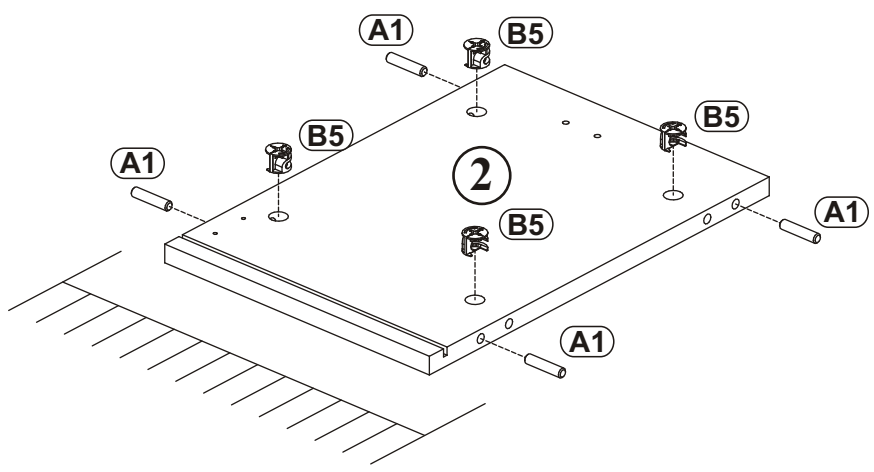
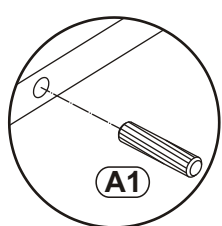
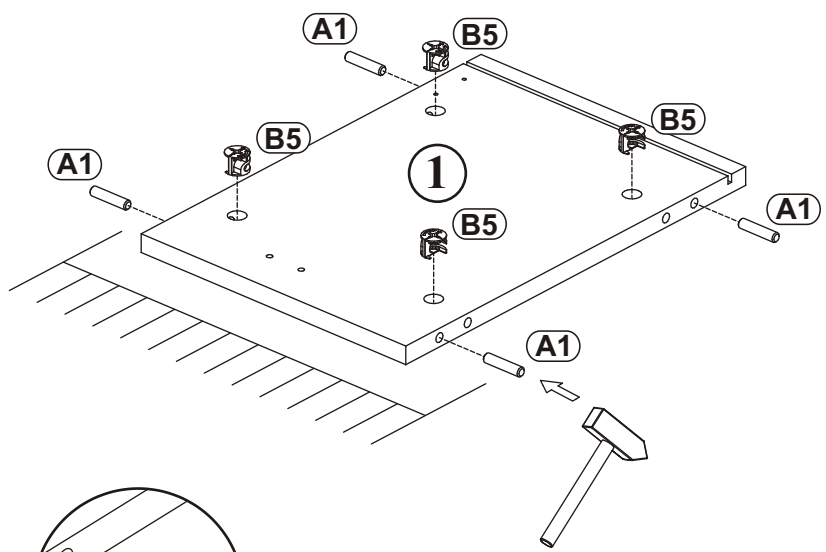
A1 x16  ø8x36	B4 x16 	B5 x16  ø15x12	G5 x16 	D7 x6  USØ3x16	G2 x1 
E1 x3  H=0	E2 x3  H=0	S1 x12 	D6 x8  USØ3,5x30	D10 x12  USØ3,5x13	G21 x2 
ZR1 x4 	KR2 x4 	T1 x1 			



POINT TYP-30

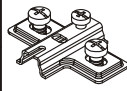
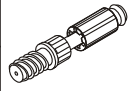
A1		B5	
x16	ø8x36	x16	ø15x12

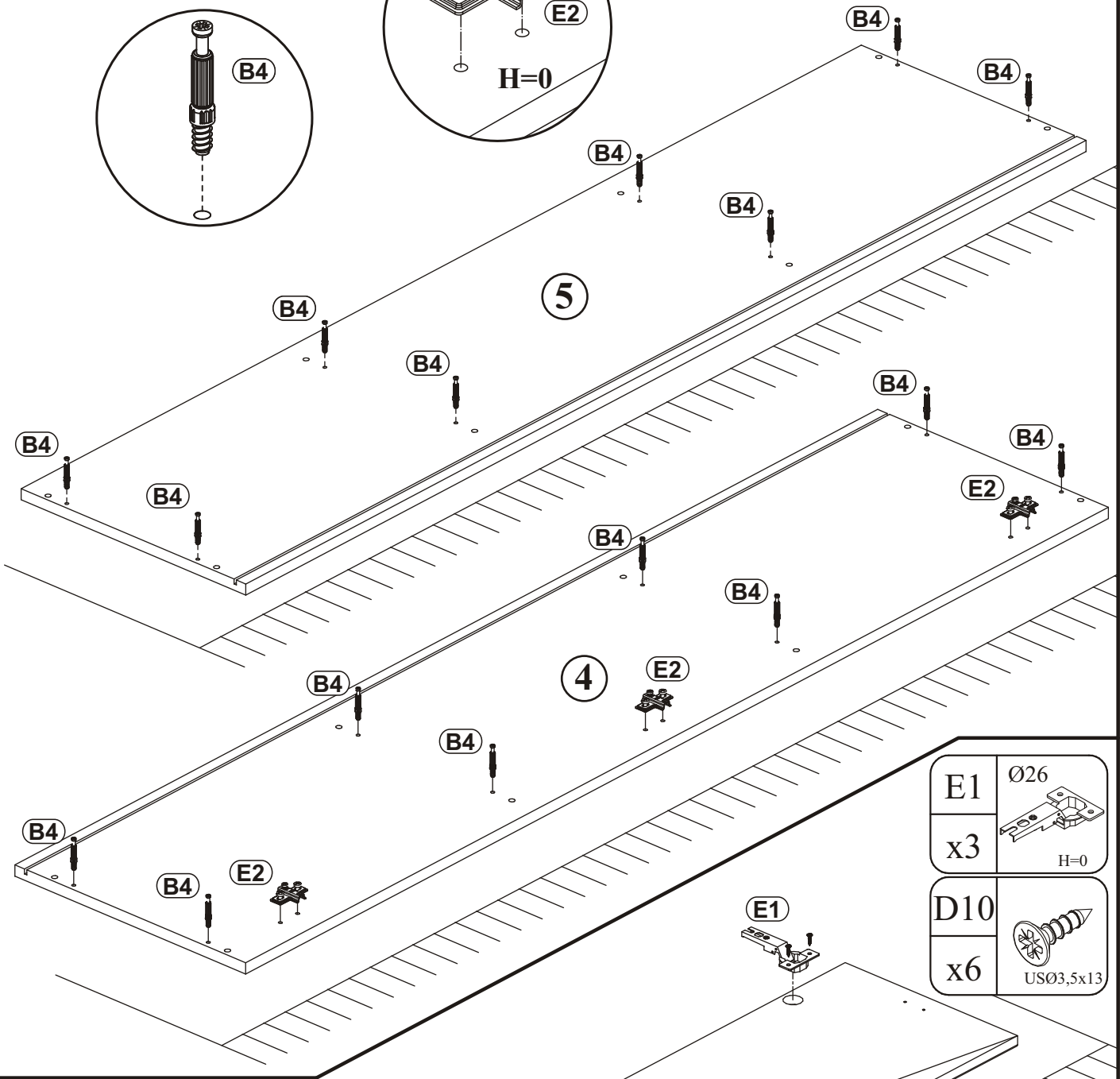
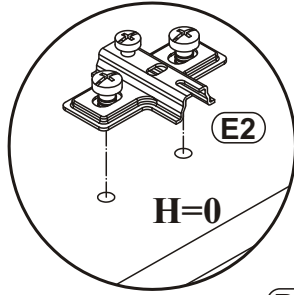
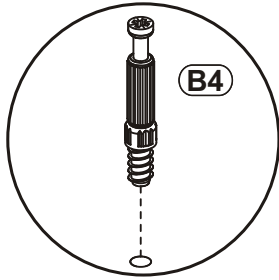
1



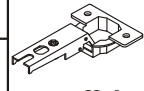

POINT TYP-30

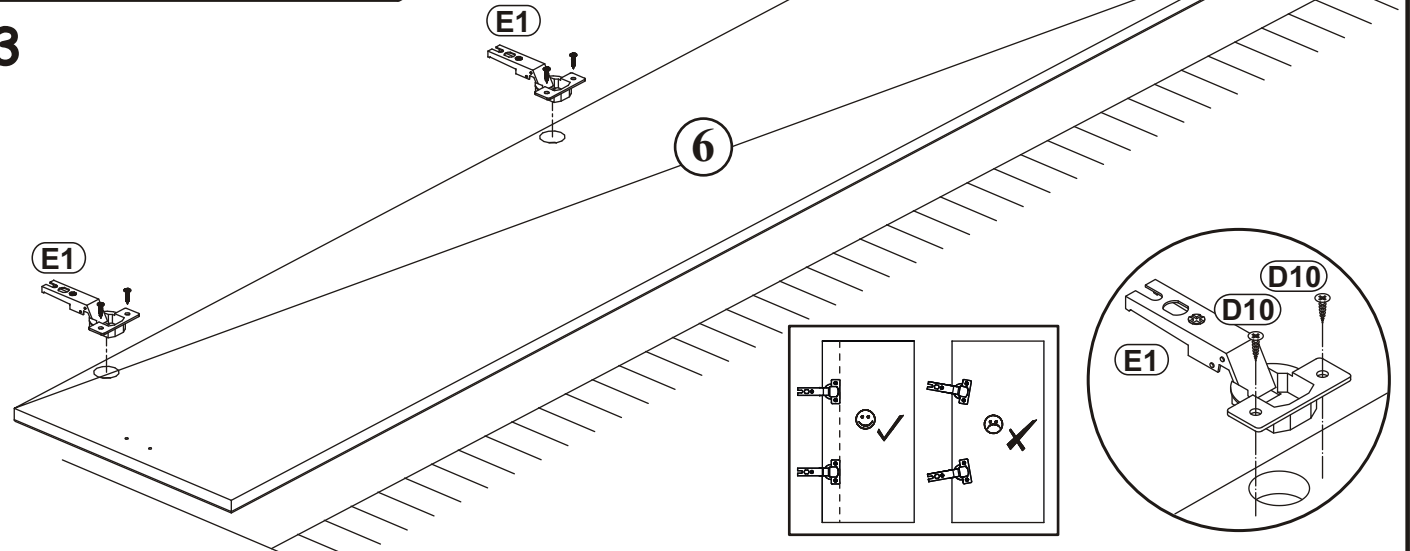
2


E2		B4	
x3	H=0	x16	



3

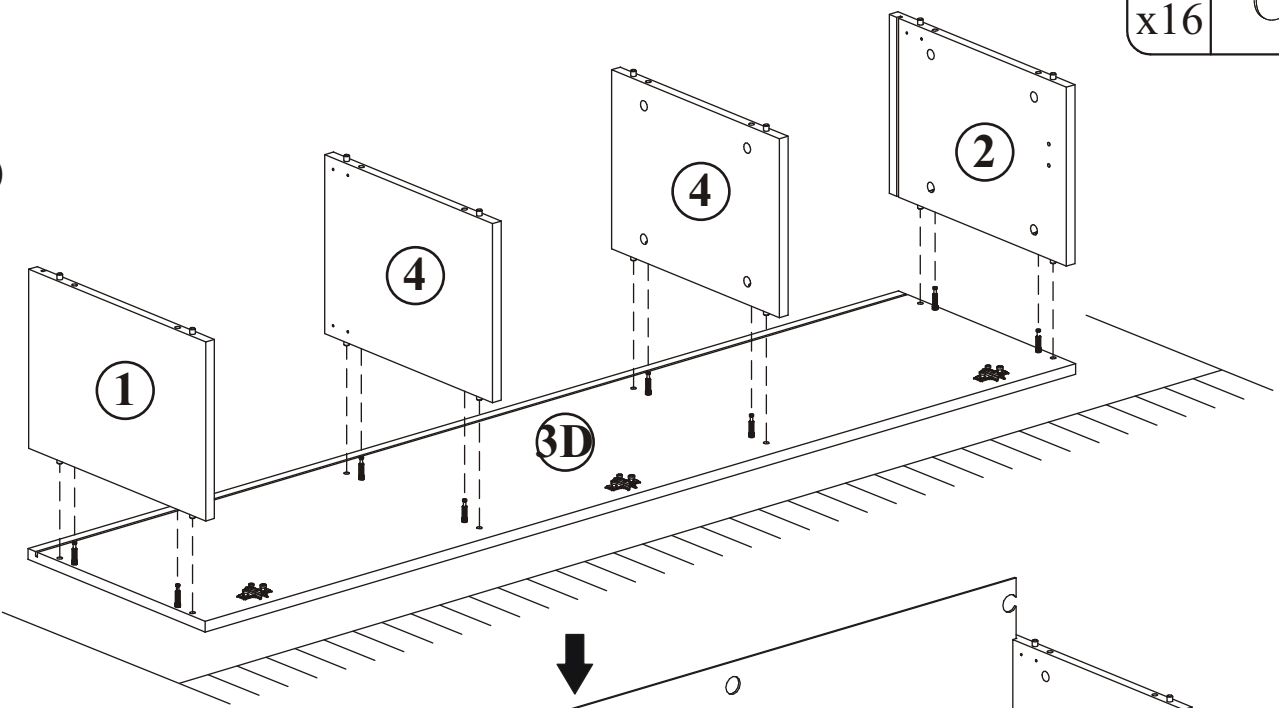
E1		Ø26
x3	H=0	
D10		
x6	USØ3,5x13	



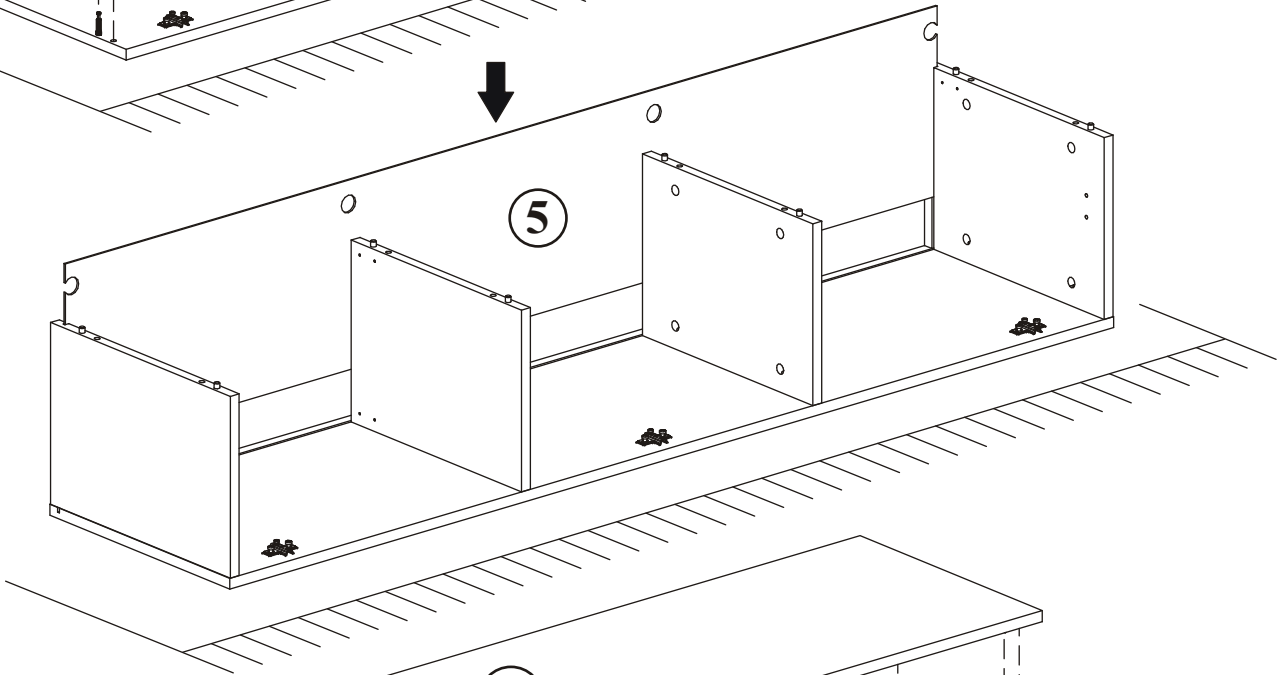
G5	
x16	

4

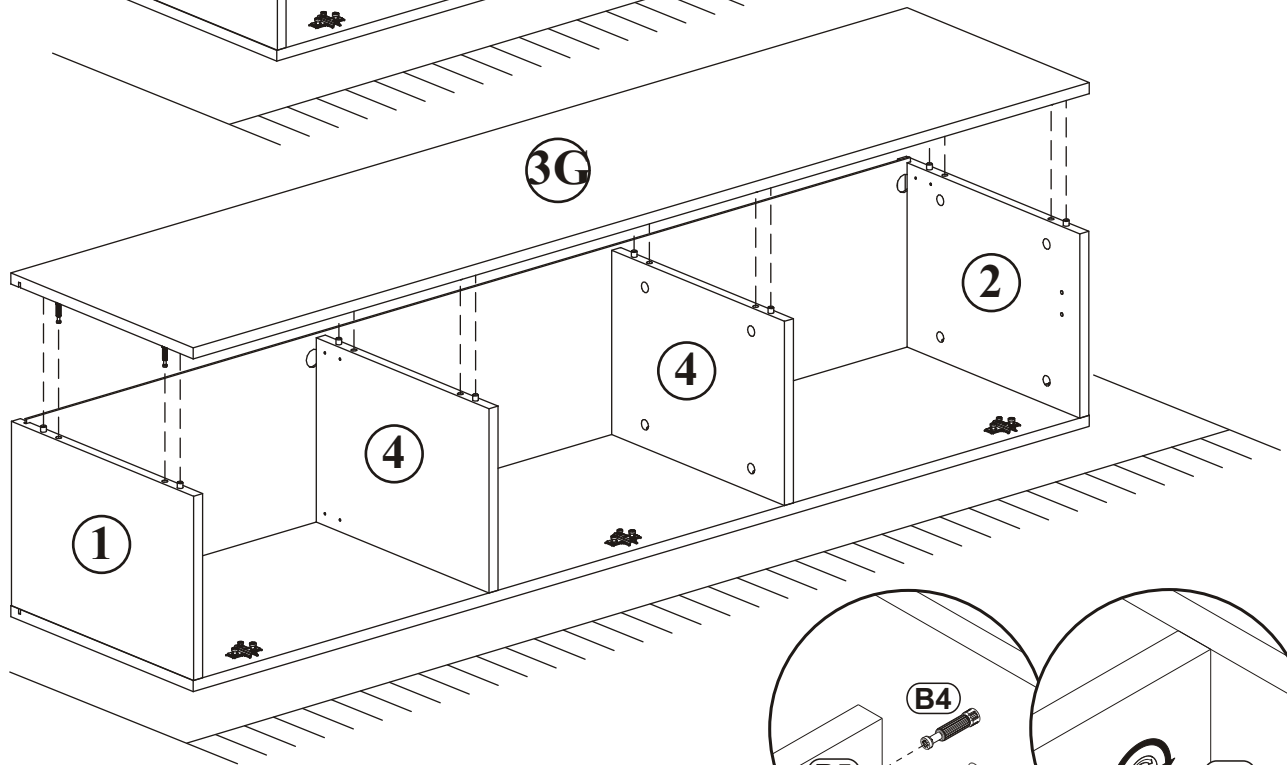
a)



b)



c)

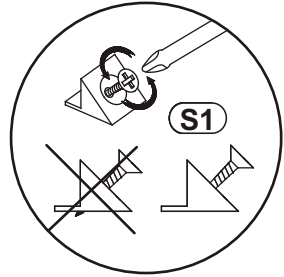
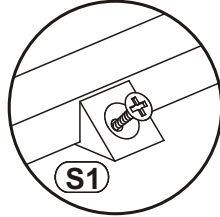
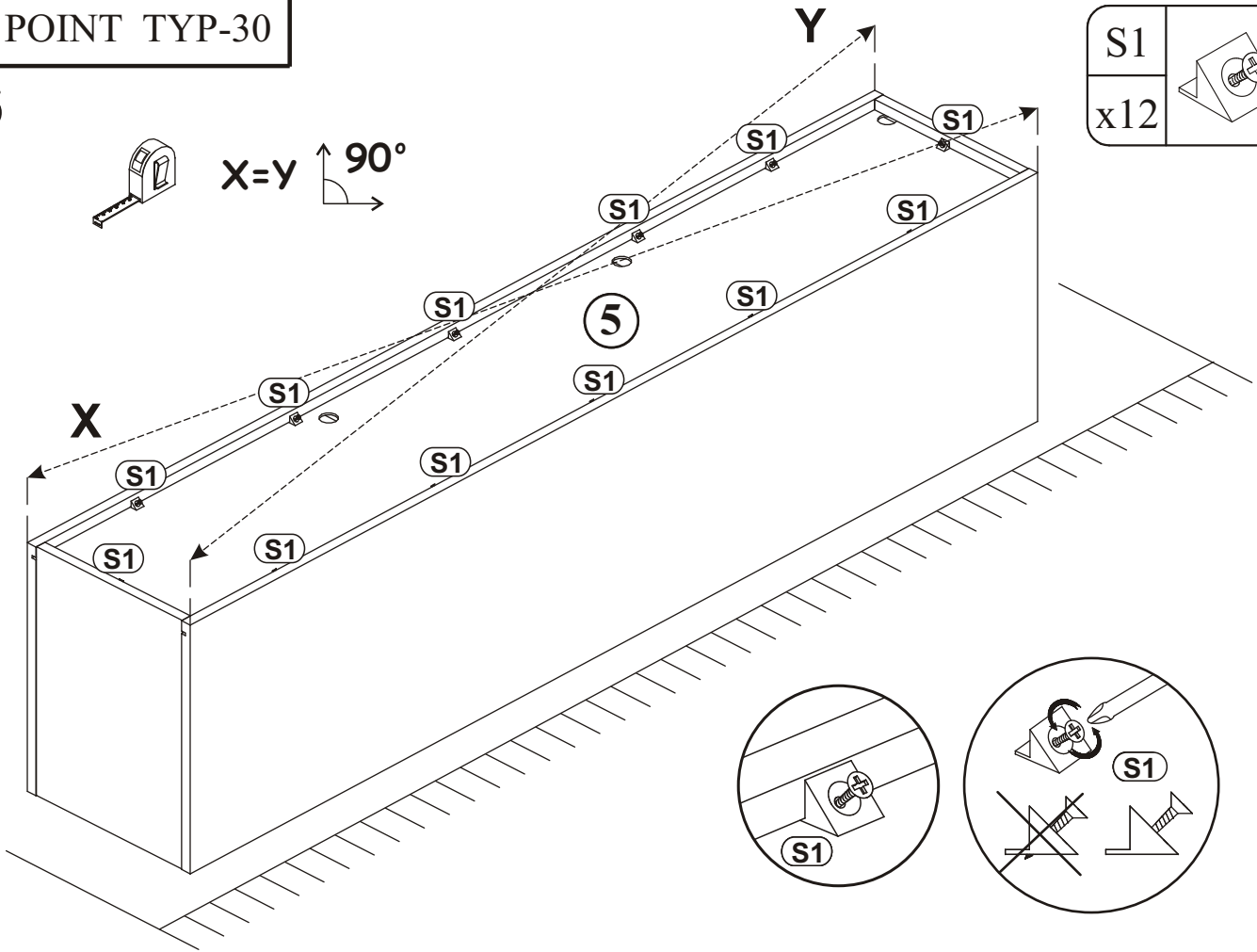


POINT TYP-30

5



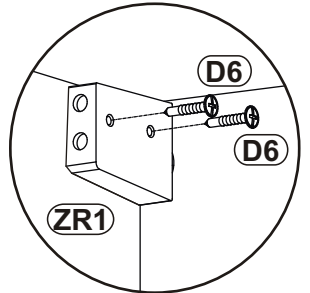
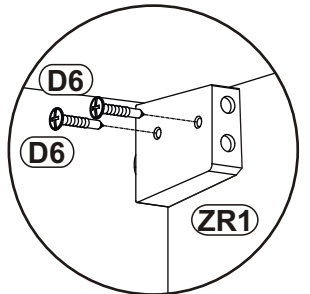
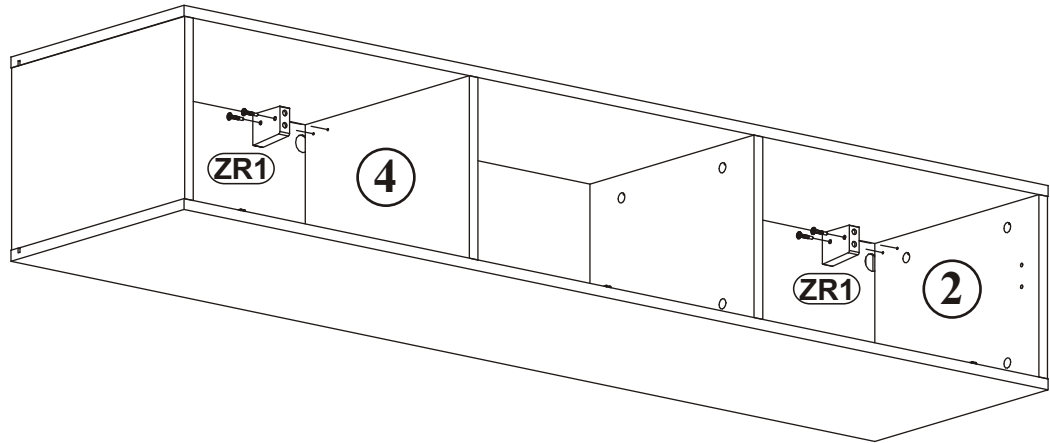
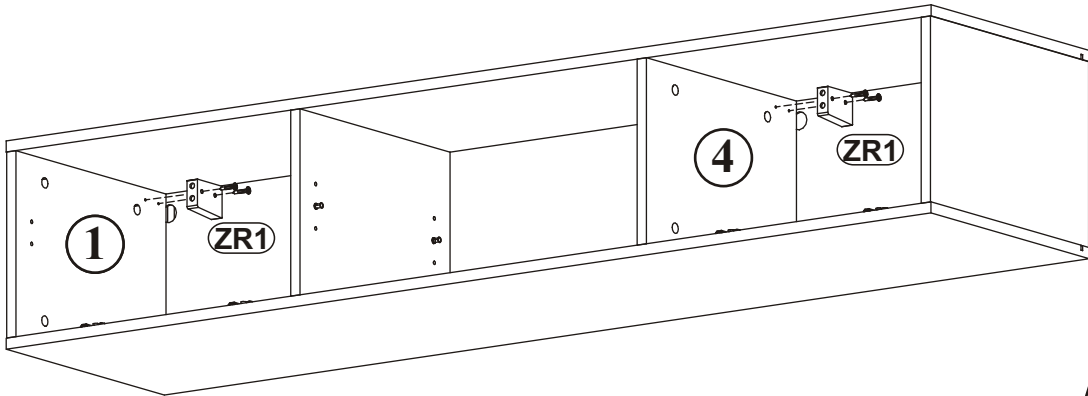
S1	
x12	



6

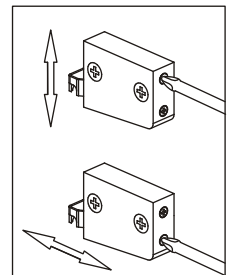
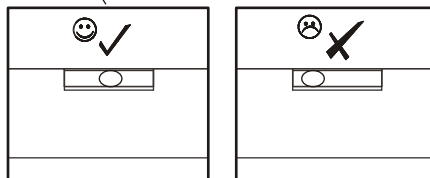
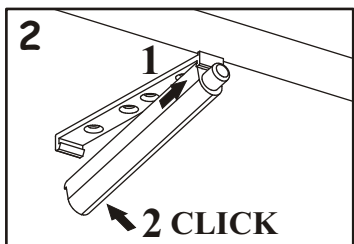
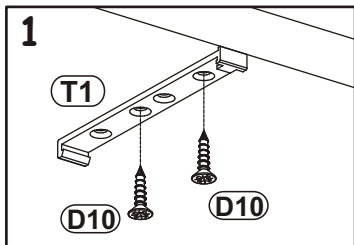
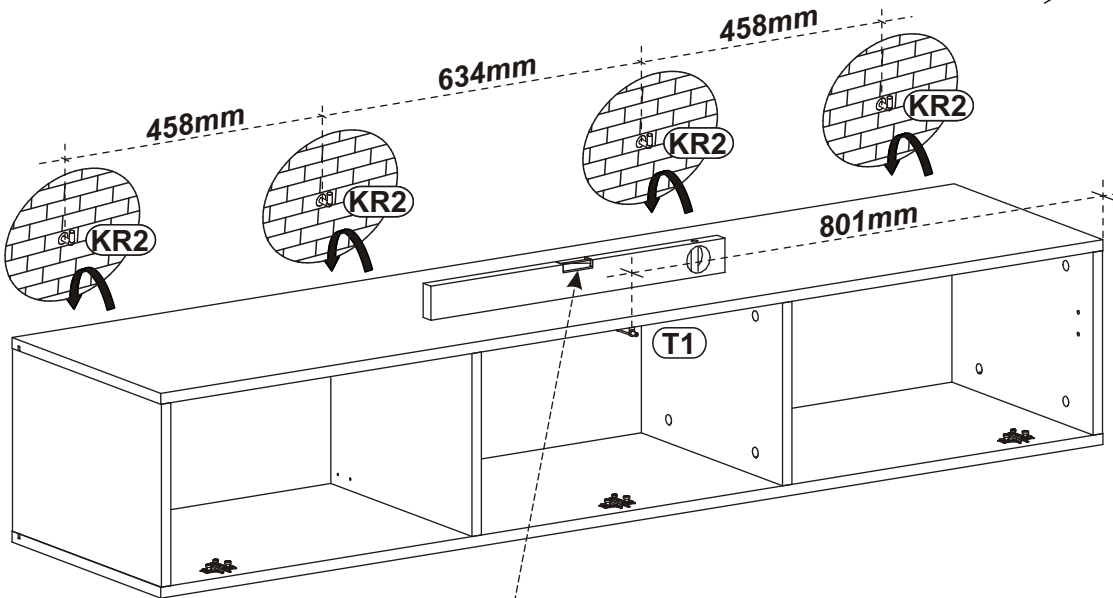
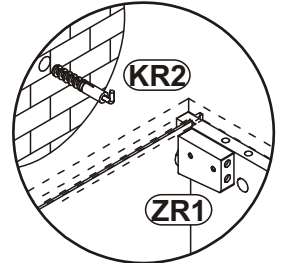
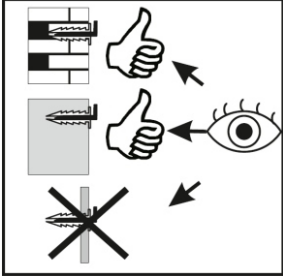
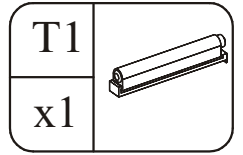
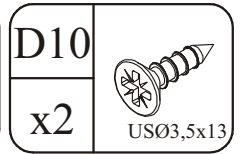
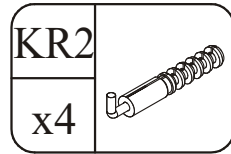
ZR1	
x4	

D6	
x8	USØ3,5x30

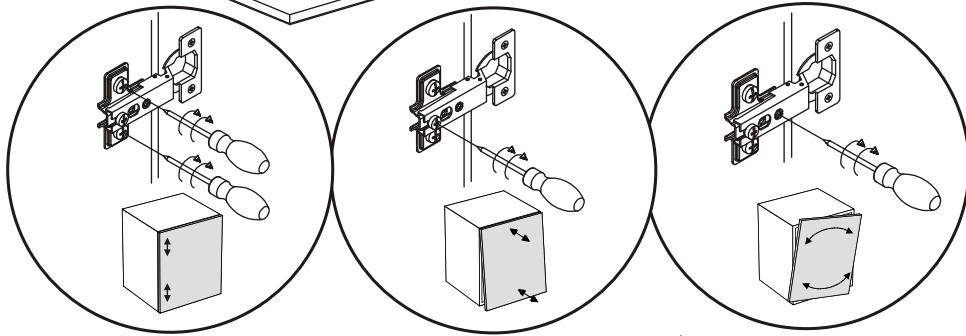
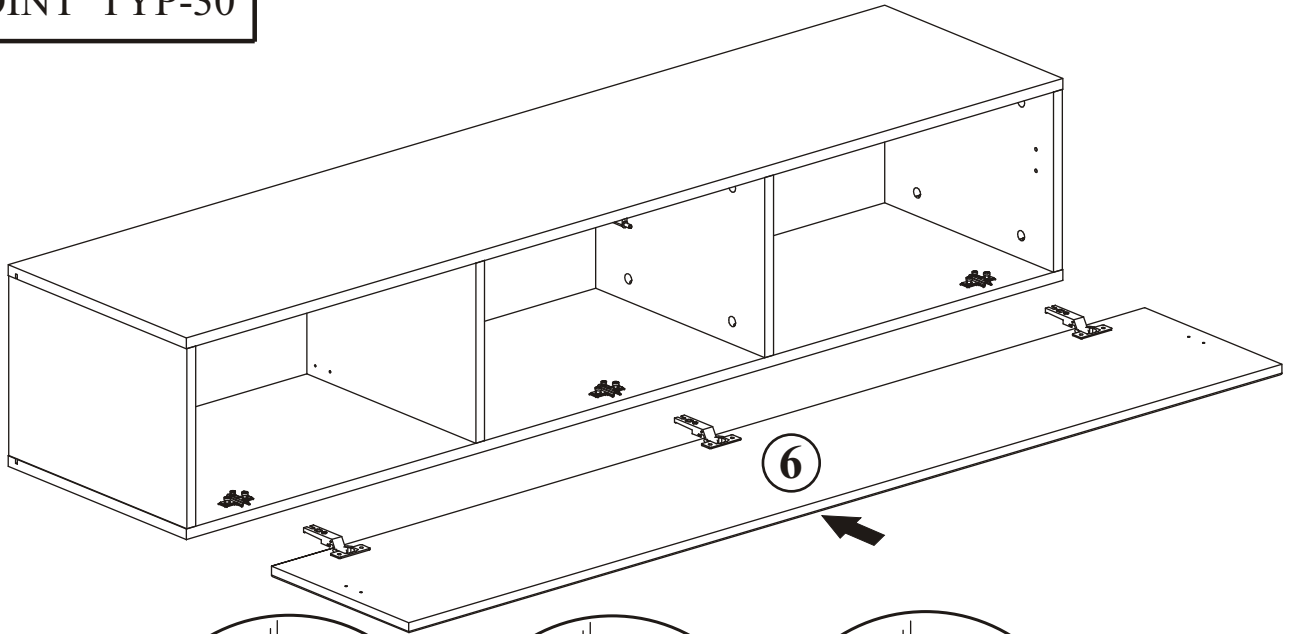


POINT TYP-30

7



8



9

